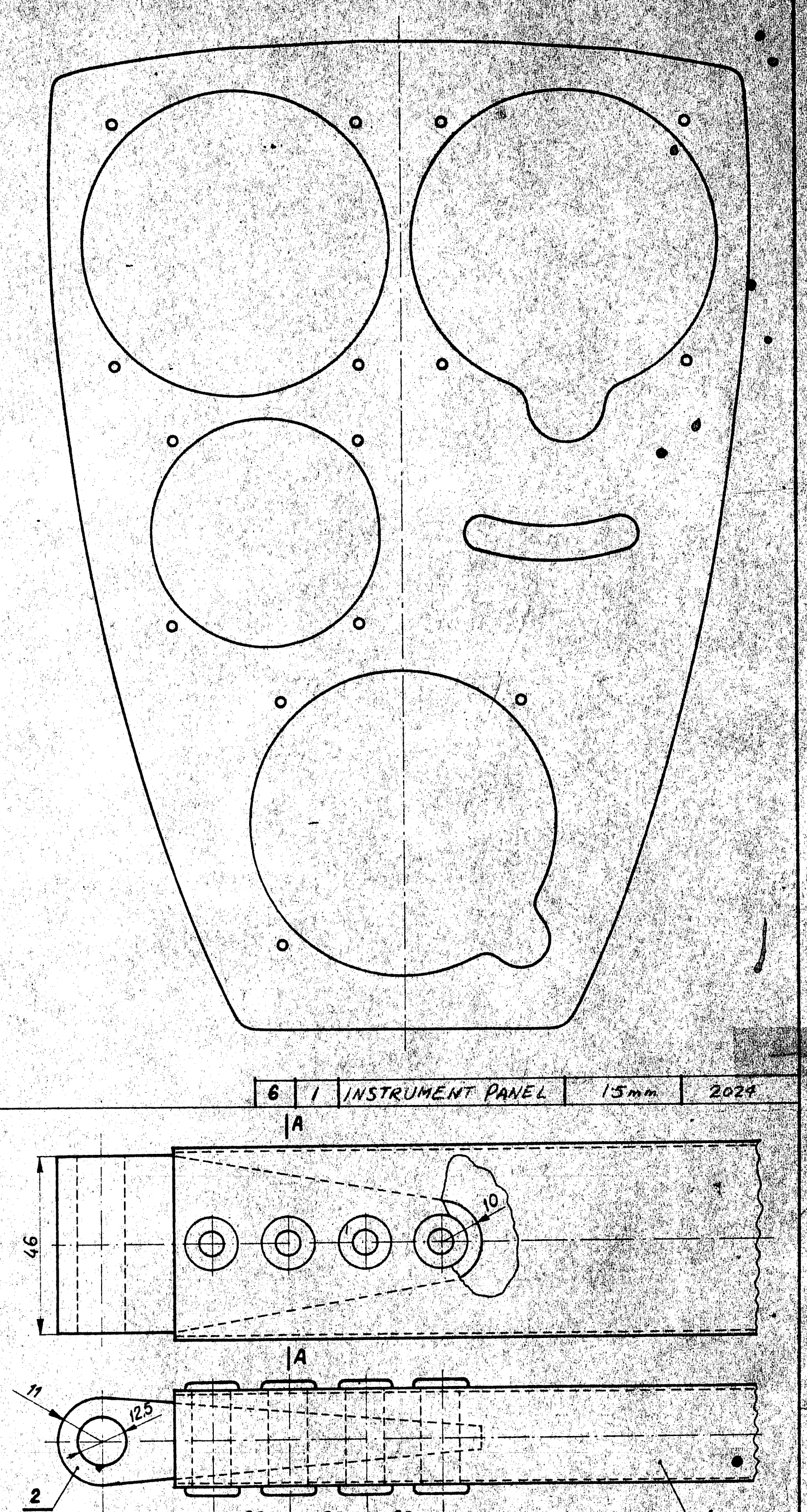
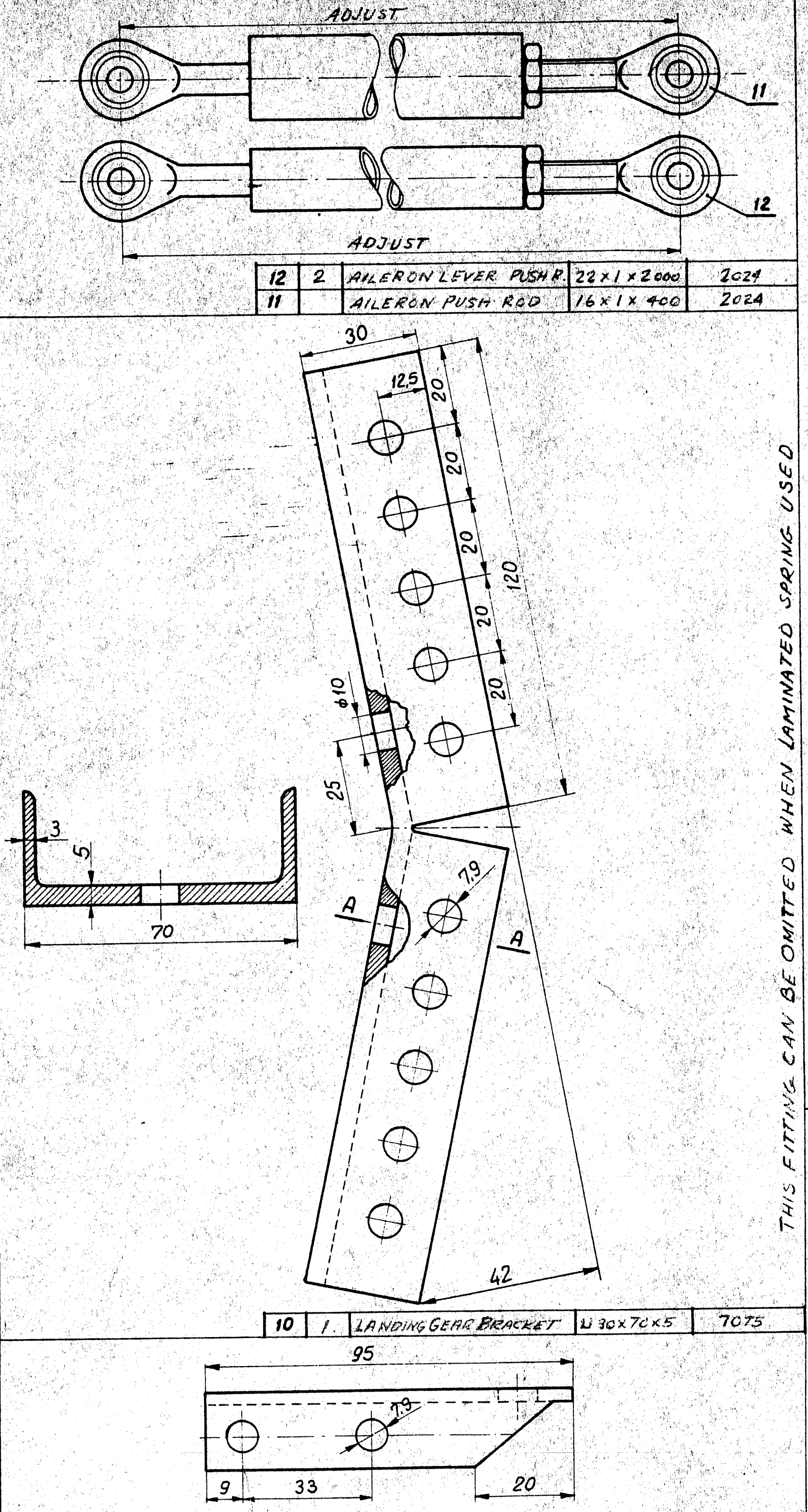
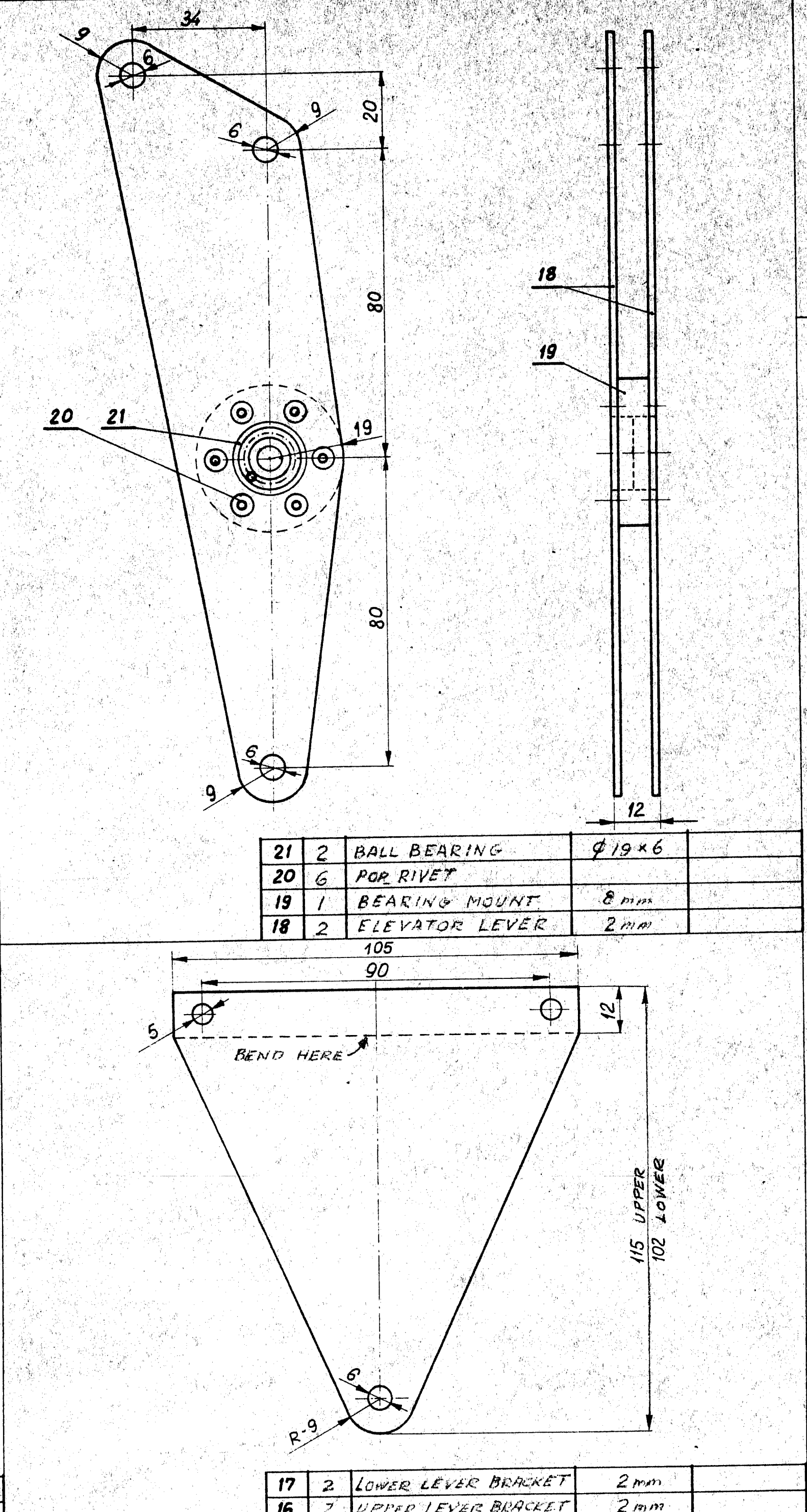
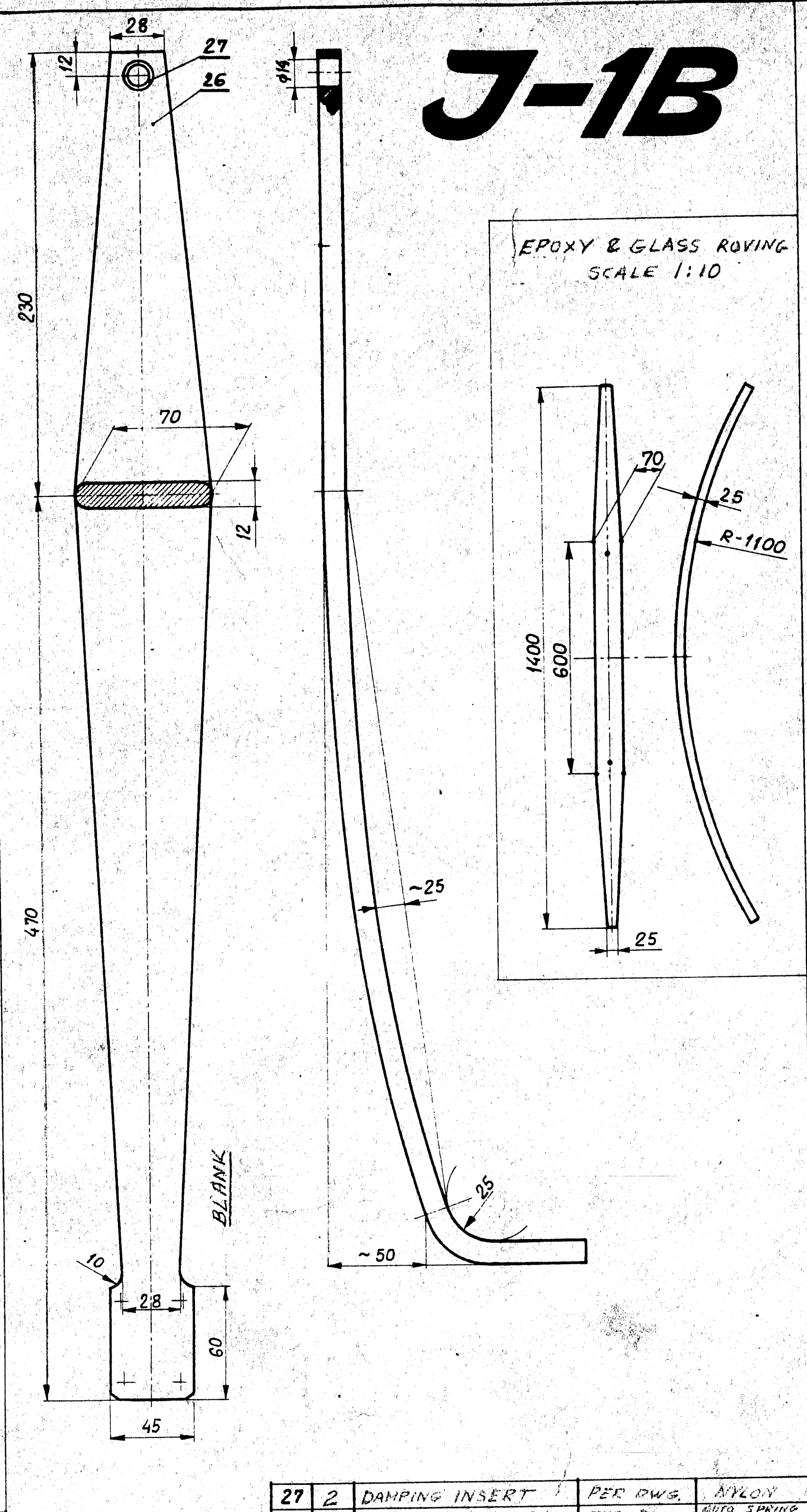
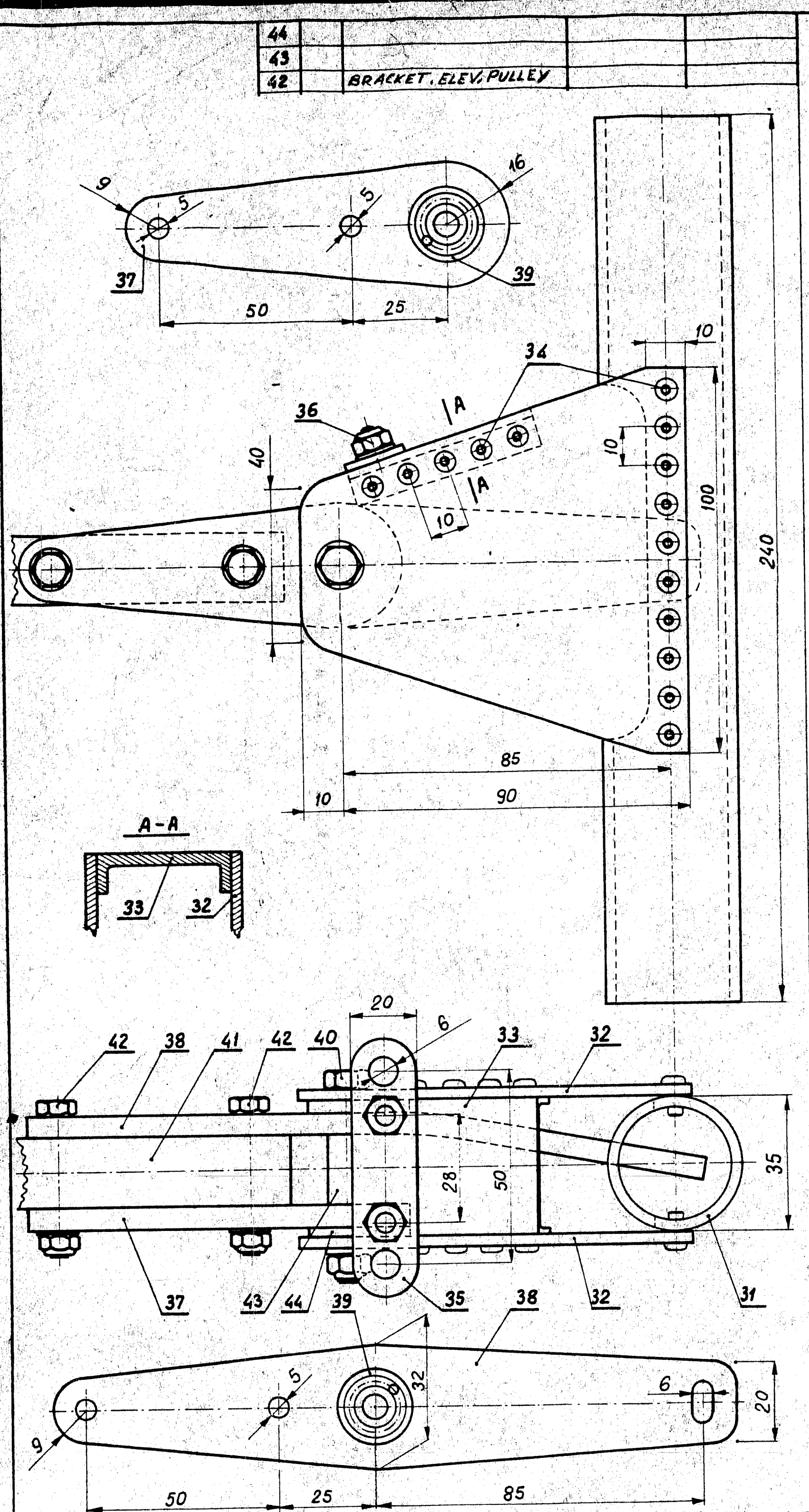


J-1B

EPOXY & GLASS ROVING
SCALE 1:10



41	1	CONTROL STICK	#18 x 13 x 350	2024
40	1	CONTROL STICK AXLE	M6 #6	
39	2	BALL BEARING	#19 x 6	
38	1	CONTROL STICK LEVER	#6 mm	2024
37	1	CONTROL STICK MOUNT	#6 mm	2024
36	2	BOLTS	M5	
35	1	ELEVATOR CABLE ANCHOR	2 mm	
34	2	POP RIVET		
33	1	CABLE ANCHORING	2 mm	
32	2	CONTROL STICK BRACKET	2.5 mm	2024
31	1	CONTROL STICK TUBE	φ 35 x 30	2024
30	2	AUX WING PIN	φ 20	
29	2	MAIN WING PIN HANDLE	φ 6	
28	2	MAIN WING PIN	φ 20	

27	2	DAMPING INSERT	PER DWG.	ALLOY
26	2	LANDING GEAR LEG	PER DWG.	ALLOY
25	2	BALL BEARING	18 x 6	
24	12	POP RIVET		572
23	2	BEARING MOUNT	8 mm	
22	4	AILERON DIFFERENT LEVER	2 mm	7075

17	2	LOWER LEVER BRACKET	2 mm	
16	2	UPPER LEVER BRACKET	2 mm	
15	2	SPACER	#8 x 8	
14	2	COUPLER BOLT	M6 #6	
13	2	PUSH ROD COUPLER	2 mm	

12	2	AILERON LEVER PUSHER	22 x 1 x 200	2024
11	1	AILERON PUSH ROD	16 x 1 x 400	2024
10	1	LANDING GEAR BRACKET	130 x 70 x 5	7075
9	8	ENGINE MOUNT LUGS	PER DWG.	7075
8	2	LOWER STRUT PIN	PER DWG.	
7	2	UPPER STRUT PIN	PER DWG.	

5	16	TUBULAR RIVETS		STL
4	1	FILLING	#25	HARDWOOD
3	2	STRUT LOWER FITTING	#25	7075
2	2	STRUT UPPER FITTING	#25	7075
1	2	WING STRUT TUBE	25 x 50 x 1	4130

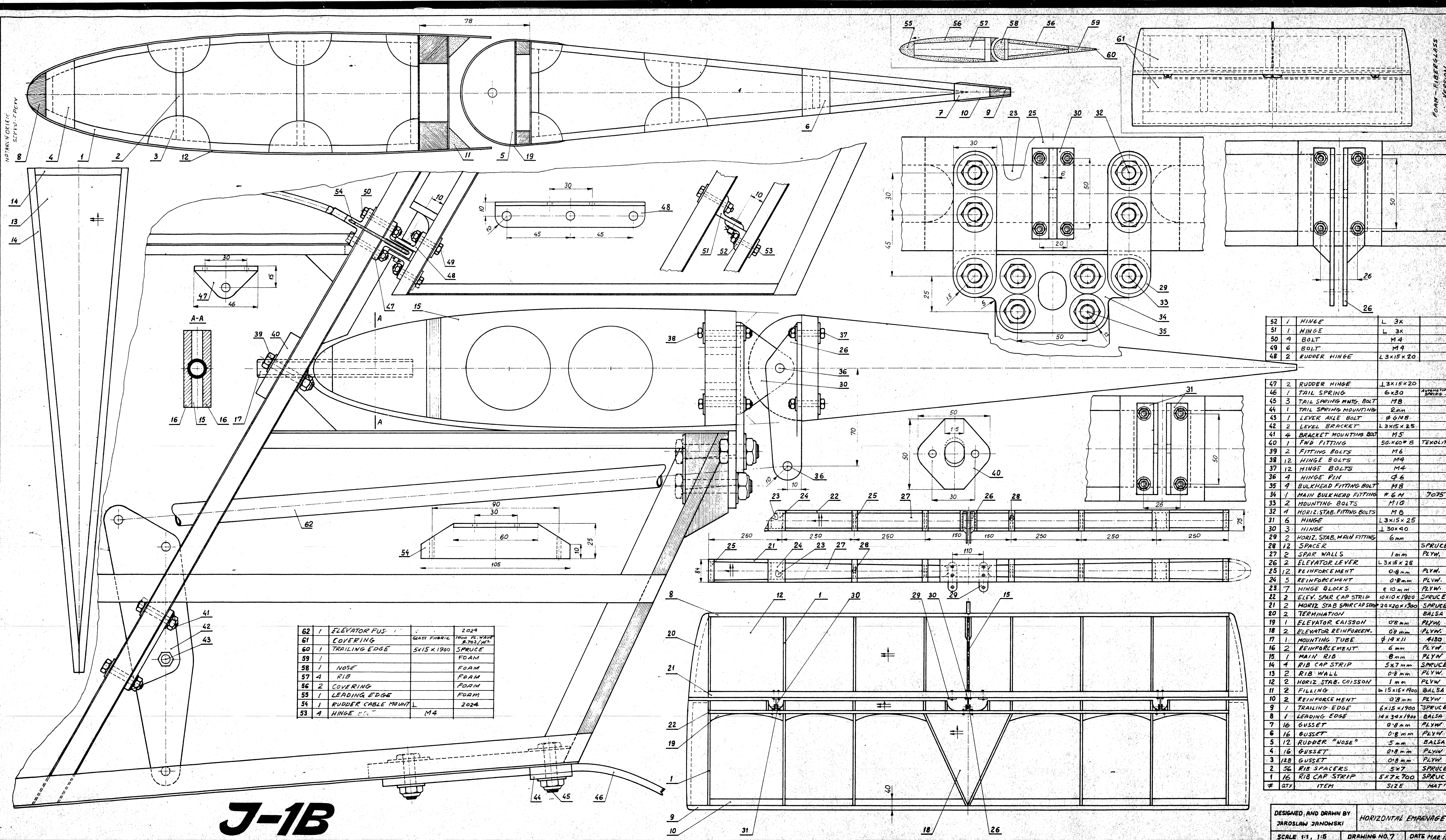
DESIGNED AND DRAWN BY
JAROSLAW JANOWSKI

SCALE 1:1, 1:2

DRAWING NO. 9

DATE MAR/3/77

DETAILS 2



62	1	ELEVATOR FUS	GLASS FIBRE	2024
61	1	COVERING	1800 PL WAVE	#702/PL
60	1	TRAILING EDGE	5X15 K.1900	SPRUCE
59	1			FOAM
58	1	NOSE		FOAM
57	4	RIB		FOAM
56	2	COVERING		FOAM
55	1	LEADING EDGE		FOAM
54	1	RUDDER CABLE MOUNT		2024
53	4	HINGE		M4

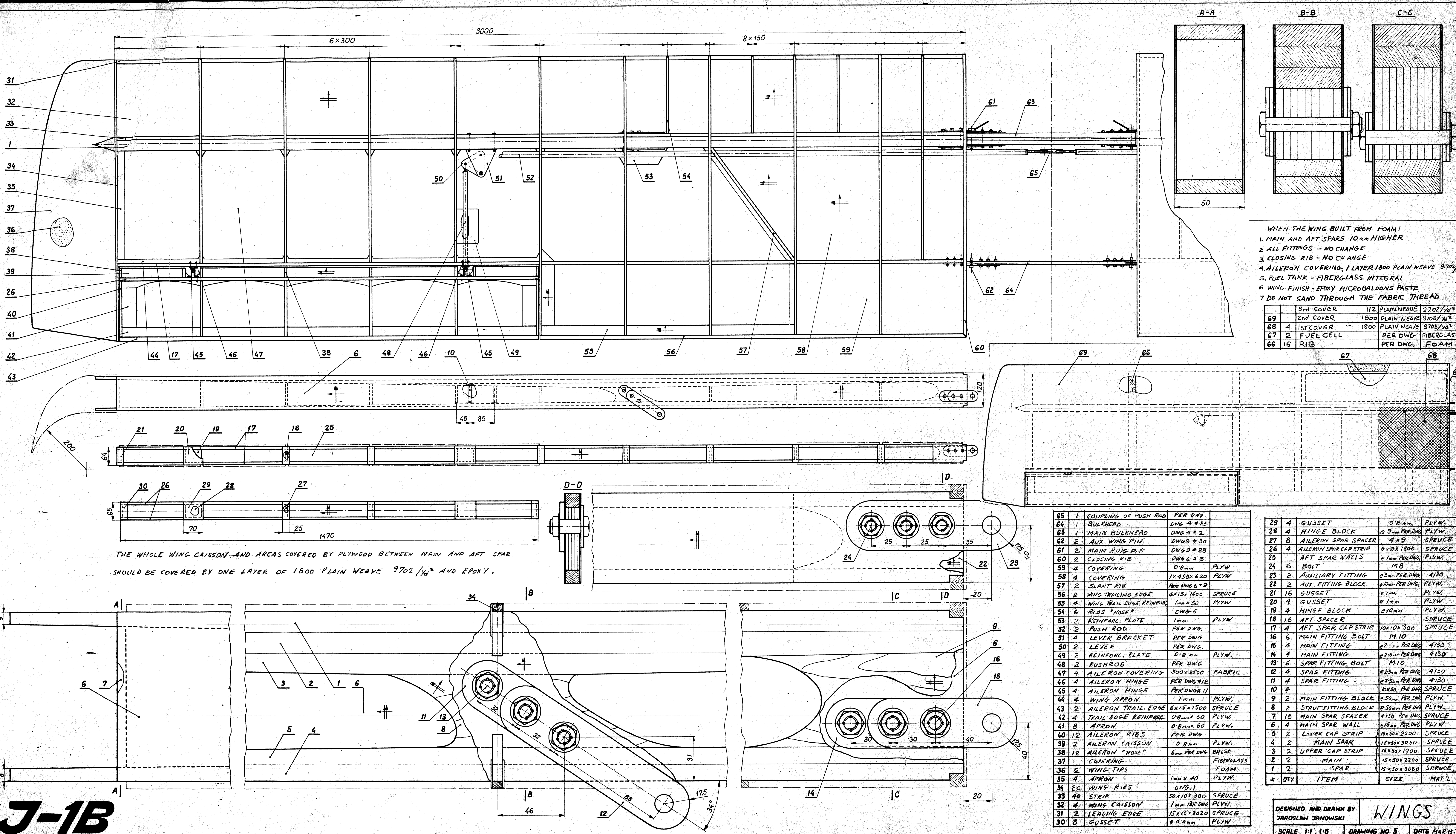
52	1	HINGE	L 3x
51	1	HINGE	L 3x
50	4	BOLT	M4
49	6	BOLT	M4
48	2	RUDDER HINGE	L3x15x20

47	2	RUDDER HINGE	L3x15x20
46	1	TAIL SPRING	6x30
45	3	TAIL SPRING MNTG. BOLT	M3
44	1	TAIL SPRING MOUNTING	2mm
43	1	LEVER AXLE BOLT	Ø 6mm
42	2	LEVEL BRACKET	L3x15x25
41	4	BRACKET MOUNTING BOLT	M5
40	1	FWD FITTING	50x60x8
39	2	FITTING BOLTS	M6
38	12	HINGE BOLTS	M4
37	12	HINGE BOLTS	M4
36	4	HINGE PIN	Ø 6
35	4	BULKHEAD FITTING BOLT	M8
34	1	MAIN BULKHEAD FITTING	# 6 M
33	2	MOUNTING BOLTS	M10
32	4	HORIZ. STAB. FITTING BOLTS	M6
31	6	HINGE	L3x15x25
30	3	HINGE	L30x40
29	2	HORIZ. STAB. MAIN FITTING	6mm
28	12	SPACER	SPRUCE
27	2	SPAR WALLS	1mm
26	2	ELEVATOR LEVER	L3x15x25
25	12	REINFORCEMENT	0.8mm
24	5	REINFORCEMENT	0.8mm
23	7	HINGE BLOCKS	Ø 10 mm
22	2	ELEV. SPAR CAP STRIP	10x10x1900
21	2	HORIZ. STAB. SPAR CAP STRIP	20x20x1900
20	2	TERMINATION	BALSA
19	1	ELEVATOR CAISSON	0.8mm
18	2	ELEVATOR REINFORCEM.	0.8mm
17	1	MOUNTING TUBE	Ø 14 x11
16	2	REINFORCEMENT	6mm
15	1	MAIN RIB	8mm
14	4	RIB CAP STRIP	5x7mm
13	2	RIB WALL	0.8mm
12	2	HORIZ. STAB. CAISSON	1mm
11	2	FILLING	b15x16x900
10	2	REINFORCEMENT	0.8mm
9	1	TRAILING EDGE	6x15x1900
8	1	LEADING EDGE	14x34x1900
7	16	GUSSET	0.8mm
6	16	GUSSET	0.8mm
5	12	RUDDER "NOSE"	5mm
4	16	GUSSET	0.8mm
3	12	GUSSET	0.8mm
2	56	RIB SPACERS	5x7
1	16	RIB CAP STRIP	5x7x700
Ø	Ø7	ITEM	SIZE
			MAT'L

J-1B

DESIGNED AND DRAWN BY
JAROSLAW JANOWSKI
SCALE 1:1, 1:5
DRAWING NO. 7
DATE MAR 18 20

FORM - FIBERGLASS
VERSION



WHEN THE WING BUILT FROM FOAM:

1. MAIN AND AFT SPARS 10mm HIGHER
2. ALL FITTINGS - NO CHANGE
3. CLOSING RIB - NO CHANGE
4. AILERON COVERING - 1 LAYER 1800 PLAIN WEAVE 9702/100
5. FUEL TANK - FIBERGLASS INTEGRAL
6. WING FINISH - EPOXY MICROBALLOONS PASTE
7. DO NOT SAND THROUGH THE FABRIC THREAD

	3rd COVER	112	PLAIN WEAVE	2202/100	1/4"
69	2nd COVER	1000	PLAIN WEAVE	9702/100	1/2"
68	1st COVER	1800	PLAIN WEAVE	9702/100	1/2"
67	2 FUEL CELL	PER DWG.	FIBERGLASS		
66	16 RIB	PER DWG.	FOAM		

THE WHOLE WING CAISSON AND AREAS COVERED BY PLYWOOD BETWEEN MAIN AND AFT SPAR. SHOULD BE COVERED BY ONE LAYER OF 1800 PLAIN WEAVE 9702/100 AND EPOXY.

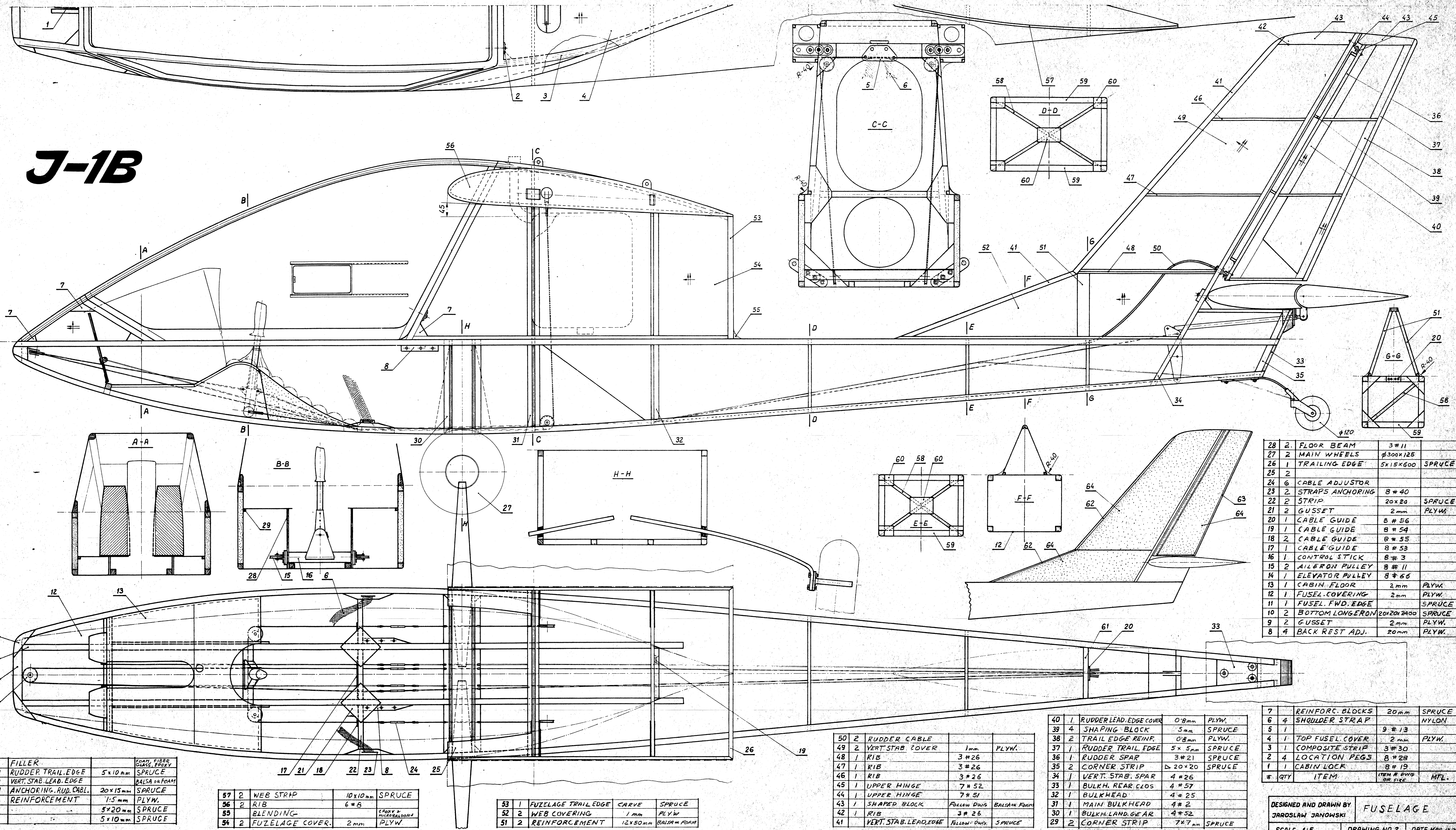
65	1	COUPLING OF PUSH ROD	PER DWG.		
64	1	BULKHEAD	DWG 4 #25		
63	1	MAIN BULKHEAD	DWG 4 #2		
62	2	AUX WING PIN	DWG 9 #30		
61	2	MAIN WING PIN	DWG 9 #28		
60	2	CLOSING RIB	DWG 6 #8		
59	4	COVERING	0.8mm	PLYW.	
58	4	COVERING	1x450x620	PLYW.	
57	2	SLANT RIB	PER DWG 6 #9		
56	2	WING TRAILING EDGE	6x15x1500	SPRUCE	
55	4	WING TRAIL EDGE REINFORC	1mmx50	PLYW.	
54	6	RIBS "NOSE"	DWG 6		
53	2	REINFORC. PLATE	1mm	PLYW.	
52	2	PUSH ROD	PER DWG.		
51	4	LEVER BRACKET	PER DWG.		
50	2	LEVER	PER DWG.		
49	2	REINFORC. PLATE	0.8mm	PLYW.	
48	2	PUSH ROD	PER DWG.		
47	4	AILERON COVERING	300x2500	FABRIC	
46	4	AILERON HINGE	PER DWG #12		
45	4	AILERON HINGE	PER DWG #11		
44	4	WING APRON	1mm	PLYW.	
43	2	AILERON TRAIL EDGE	6x15x1500	SPRUCE	
42	4	TRAIL EDGE REINFORC.	0.8mmx50	PLYW.	
41	8	APRON	0.8mmx60	PLYW.	
40	12	AILERON RIBS	PER DWG.		
39	2	AILERON CAISSON	0.8mm	PLYW.	
38	12	AILERON "NOSE"	6mm PER DWG.	BALSA	
37		COVERING		FIBERGLASS	
36	2	WING TIPS		FOAM	
35	4	APRON	1mmx40	PLYW.	
34	20	WING RIBS	DWG. 1		
33	40	STRIP	30x10x300	SPRUCE	
32	4	WING CAISSON	1mm PER DWG.	PLYW.	
31	2	LEADING EDGE	15x15x3020	SPRUCE	
30	8	GUSSET	0.8mm	PLYW.	

29	4	GUSSET	0.8mm	PLYW.
28	4	HINGE BLOCK	0.9mm PER DWG.	PLYW.
27	8	AILERON SPAR SPACER	4x9	SPRUCE
26	4	AILERON SPAR CAP STRIP	8x9x1500	SPRUCE
25	4	AFT SPAR WALLS	0.1mm PER DWG.	PLYW.
24	6	BOLT	M8	
23	2	AUXILIARY FITTING	0.25mm PER DWG.	4130
22	2	AUX. FITTING BLOCK	0.25mm PER DWG.	PLYW.
21	16	GUSSET	0.1mm	PLYW.
20	4	GUSSET	0.1mm	PLYW.
19	4	HINGE BLOCK	0.10mm	PLYW.
18	16	AFT SPAR	SPRUCE	
17	4	AFT SPAR CAP STRIP	10x10x300	SPRUCE
16	6	MAIN FITTING BOLT	M10	
15	4	MAIN FITTING	0.25mm PER DWG.	4130
14	4	MAIN FITTING	0.25mm PER DWG.	4130
13	6	SPAR FITTING BOLT	M10	
12	4	SPAR FITTING	0.25mm PER DWG.	4130
11	4	SPAR FITTING	0.25mm PER DWG.	4130
10	4		10x50 PER DWG.	SPRUCE
9	2	MAIN FITTING BLOCK	0.50mm PER DWG.	PLYW.
8	2	STRUT FITTING BLOCK	0.50mm PER DWG.	PLYW.
7	18	MAIN SPAR SPACER	4150 PER DWG.	SPRUCE
6	4	MAIN SPAR WALL	0.15mm PER DWG.	PLYW.
5	2	LOWER CAP STRIP	15x50x2300	SPRUCE
4	2	MAIN SPAR	15x50x3080	SPRUCE
3	2	UPPER CAP STRIP	15x50x1900	SPRUCE
2	2	MAIN	15x50x2300	SPRUCE
1	2	SPAR	15x50x3080	SPRUCE
* QTY		ITEM	SIZE	MAT'L

DESIGNED AND DRAWN BY: JAROSLAW JANOWSKI
 SCALE: 1:1, 1:5
 DRAWING NO. 5
 DATE: MAR 13 77

J-1B

J-1B



64	FILLER	FOAM, FIBER GLASS, PLYW
63	RUDDER TRAIL EDGE	5x10mm SPRUCE
62	VERT. STAB. LEAD. EDGE	5x10mm SPRUCE
61	ANCHORING. RUD. CABL.	20x15mm SPRUCE
60	REINFORCEMENT	1.5mm PLYW.
59	...	5x20mm SPRUCE
58	...	5x10mm SPRUCE

57	2	WEB STRAP	10x10mm	SPRUCE
56	2	RIB	6x8	SPRUCE
55	1	BLENDING	1mm	PLYW.
54	2	FUZELAGE COVER.	2mm	PLYW.

53	1	FUZELAGE TRAIL EDGE	CARVE	SPRUCE
52	2	WEB COVERING	1mm	PLYW.
51	2	REINFORCEMENT	12x50mm	BALSA or PLYW.

50	2	RUDDER CABLE		
49	2	VERT. STAB. COVER	1mm	PLYW.
48	1	RIB	3x26	
47	1	RIB	3x26	
46	1	RIB	3x26	
45	1	UPPER HINGE	7x52	
44	1	UPPER HINGE	7x51	
43	1	SHAPED BLOCK	FOLLOW DWT.	BALSA or PLYW.
42	1	RIB	3x26	
41	1	VERT. STAB. LEAD. EDGE	FOLLOW DWT.	SPRUCE

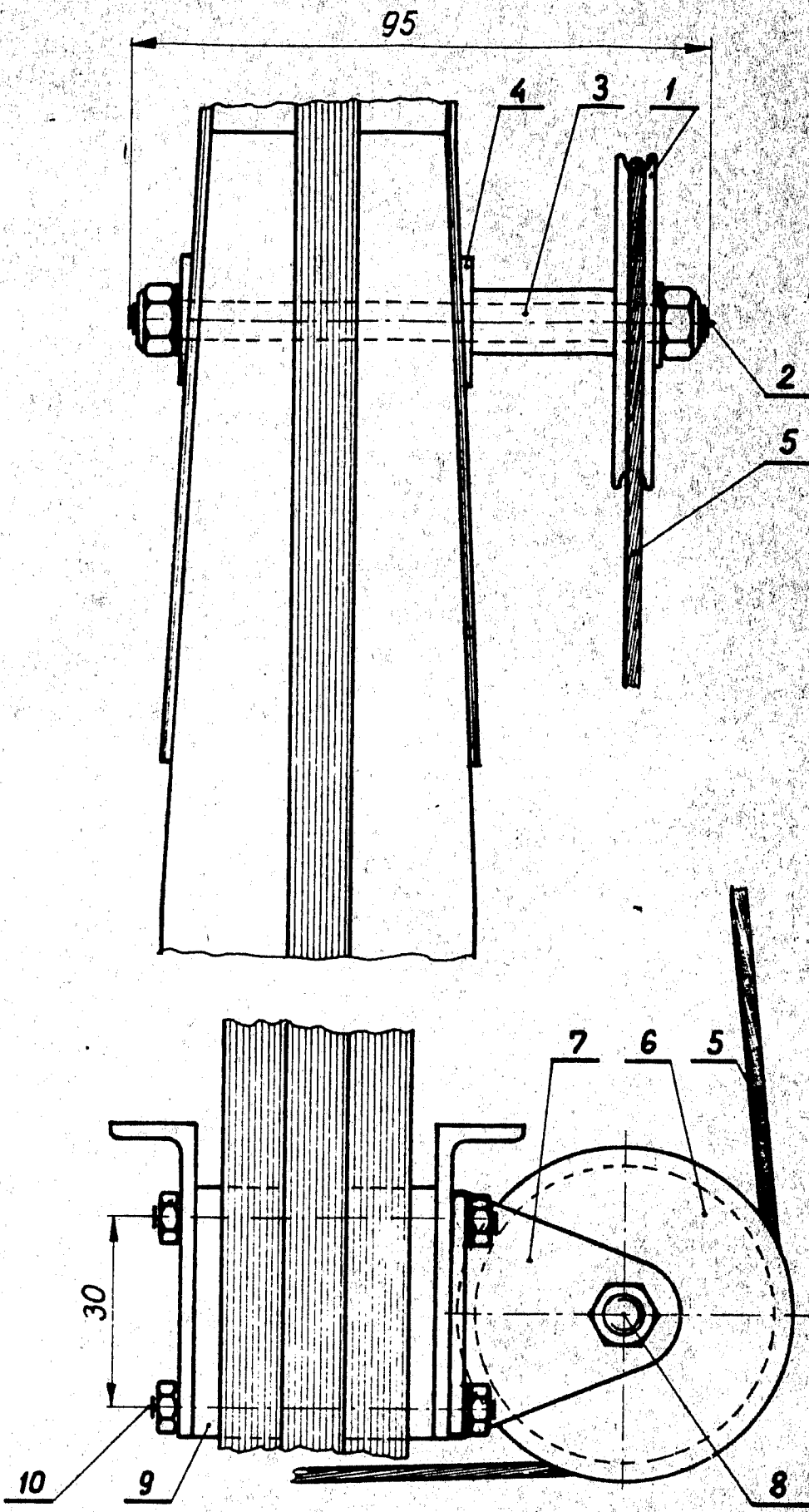
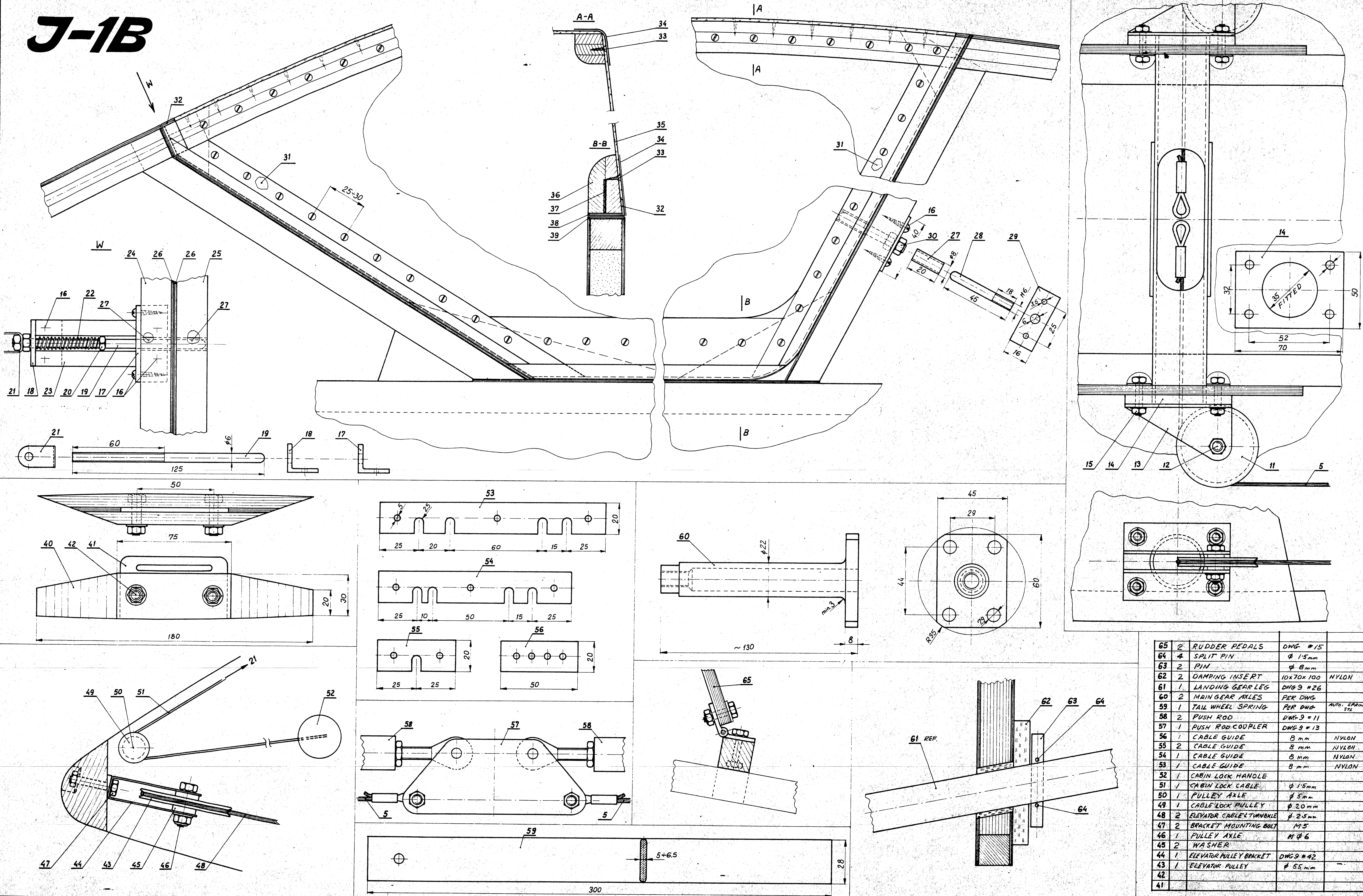
40	1	RUDDER LEAD. EDGE COVER	0.8mm	PLYW.
39	4	SHAPING BLOCK	5mm	SPRUCE
38	2	TRAIL EDGE REINF.		PLYW.
37	1	RUDDER TRAIL. EDGE	5x5mm	SPRUCE
36	1	RUDDER SPAR	3x21	SPRUCE
35	2	CORNER STRIP	20x20	SPRUCE
34	1	VERT. STAB. SPAR	4x26	
33	1	BULKH. REAR CLOS.	4x57	
32	1	BULKHEAD	4x25	
31	1	MAIN BULKHEAD	4x2	
30	1	BULKH. LAND. GEAR	4x52	
29	2	CORNER STRIP	7x7mm	SPRUCE

28	2	FLOOR BEAM	3x11	
27	2	MAIN WHEELS	ø300x125	
26	1	TRAILING EDGE	5x15x600	SPRUCE
25	2			
24	6	CABLE ADJUSTOR		
23	2	STRAPS ANCHORING	8x40	
22	2	STRIP	20x20	SPRUCE
21	2	GUSSET	2mm	PLYW.
20	1	CABLE GUIDE	8x56	
19	1	CABLE GUIDE	8x54	
18	2	CABLE GUIDE	8x55	
17	1	CABLE GUIDE	8x53	
16	1	CONTROL STICK	8x3	
15	2	AILERON PULLEY	8x11	
14	1	ELEVATOR PULLEY	8x66	
13	1	CABIN FLOOR	2mm	PLYW.
12	1	FUSEL. COVERING	2mm	PLYW.
11	1	FUSEL. FWD. EDGE		SPRUCE
10	2	BOTTOM LONGERON	20x20x2400	SPRUCE
9	2	GUSSET	2mm	PLYW.
8	4	BACK REST ADJ.	20mm	PLYW.

7	1	REINFORC. BLOCKS	20mm	SPRUCE
6	4	SHOULDER STRAP		NYLON
5	1	TOP FUSEL. COVER	9x1/3	PLYW.
4	1	COMPOSITE STRIP	3x30	
3	4	LOCATION PEGS	8x28	
2	1	CABIN LOCK	8x19	
1	1	QTY	ITEM	ITEM # DRAWING

DESIGNED AND DRAWN BY
JAROSLAW JANOWSKI
SCALE 1:5
DRAWING NO. 2
DATE MAR. 1977

J-1B



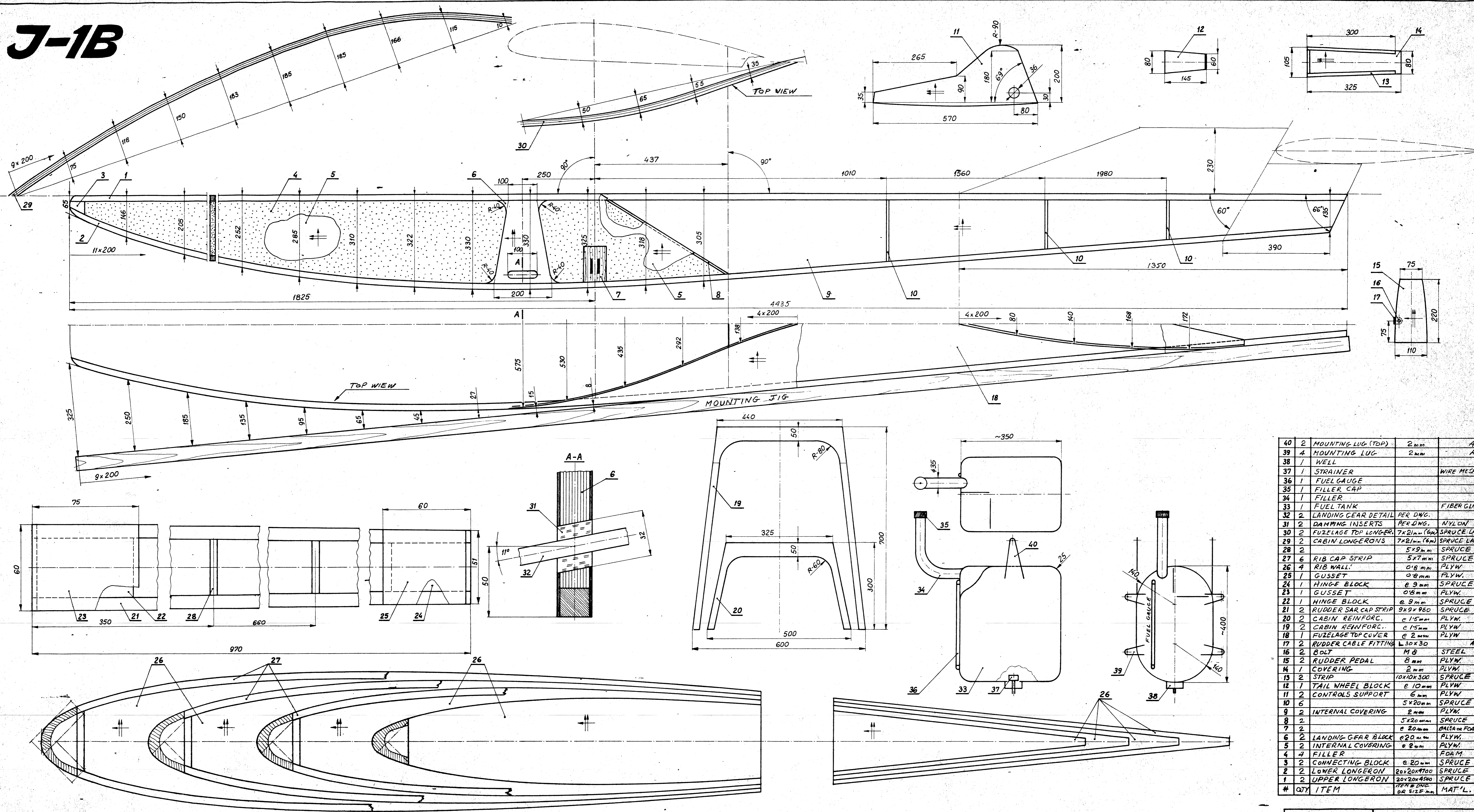
42	4	ATTACHMENT MOUNTING BOLT	M6	
41	2	STRAP ATTACHMENT	3 mm	A130
40	2	STRAP ATTACHMENT	PER DWG.	PLYW.
39	4	GUSSET	ø 2 mm	PLYW.
38	4	GUSSET	ø 2 mm	PLYW.
37	8	FUSELAGE EDGE REINFORCEM.	ø 2 mm	PLYW.
36	2	BOTTOM STRIP, CABIN	PER DWG.	SPRUCE
35	2	CABIN GLAZING	2 mm	ALUMINUM GLASS
34	1	EDGE COVERING	40 mm WIDE	FABRIC
33	350	MOUNTING SCREWS	# 2 X 10	
32	1	GUSSET		PLYW.
31	1	STRIP	20 X 20	SPRUCE
30	8	NUT	M6	
29	4	LOCK PLATE	15 mm	
28	4	CABIN LOCK PIN	ø 6	
27	6	LOCK BUSHING	ø 8 X 20	
26	1	GUSSET	ø 2 mm	PLYW.
25	1	CABIN STRIP	20 X 20	SPRUCE
24	1	FUSELAGE STRIP	20 X 20	SPRUCE
23	2	STRIP	10 X 20	SPRUCE
22	1	SPRING		
21	1			
20	3	NUT	M6	
19	1	CABIN LOCK PIN	ø 6 X 125	
18	1	LOCK BRACKET	L 20 X 20 X 3	
17	1	LOCK BRACKET	L 20 X 20 X 3	
16	4	SCREWS	# 3 X 20	
15	8	BRACKET BOLTS	# 6	
14	2	CONTROL BEARING	# 6	TEKOLITE
13	4	BRACKET	L 30 X 20 X 25	
12	2	AXLE	ø 6 M6	
11	2	PULLEY	ø 55 mm	
10	8	BOLT	ø 4	
9	4	SPACER	PER DWG.	
8	2	AXLE	M6 ø 8	
7	4	BRACKET	L 35 X 12 X 25	
6	2	PULLEY	ø 55 mm	
5	1	AIRCRAFT CABLE TURNBUCKLE		
4	2	WASHER		
3	4	SPACER	ø 6 X 10 X 22	
2	2	PULLEY AXLE	ø 6 X 95	
1	2	PULLEY	ø 55 mm	
=	QTY	ITEM	SIZE	MAT'L

65	2	RUDDER PEDALS	DWG #15	
64	4	SPLIT PIN	ø 15 mm	
63	2	PIN	ø 8 mm	
62	2	DAMPING INSERT	10 X 70 X 100	NYLON
61	1	LANDING GEAR LEG	DWG 9 X 28	
60	2	MAIN GEAR LEGS	PER DWG.	
59	1	TAIL WHEEL SPRING	PER DWG.	AUTO. SPRING
58	2	PUSH ROD	DWG 9 X 11	
57	1	PUSH ROD COUPLER	DWG 9 X 13	
56	1	CABLE GUIDE	ø 8 mm	NYLON
55	2	CABLE GUIDE	ø 8 mm	NYLON
54	1	CABLE GUIDE	ø 8 mm	NYLON
53	1	CABLE GUIDE	ø 8 mm	NYLON
52	1	CABIN LOCK HANDLE		
51	1	CABIN LOCK CABLE	ø 15 mm	
50	1	PULLEY AXLE	ø 15 mm	
49	1	CABLE LOCK PULLEY	ø 20 mm	
48	2	ELEVATOR CABLE TURNBUCKLE	ø 25 mm	
47	2	BRACKET MOUNTING BOLT	M5	
46	1	PULLEY AXLE	# ø 6	
45	2	WASHER		
44	1	ELEVATOR PULLEY BRACKET	DWG 9 X 42	
43	1	ELEVATOR PULLEY	ø 55 mm	
42				
41				

DESIGNED AND DRAWN BY
JAROSLAW JANDOWSKI
SCALE 1:1
DRAWING NO. 8
DATE MAR 1977

DETAILS 1

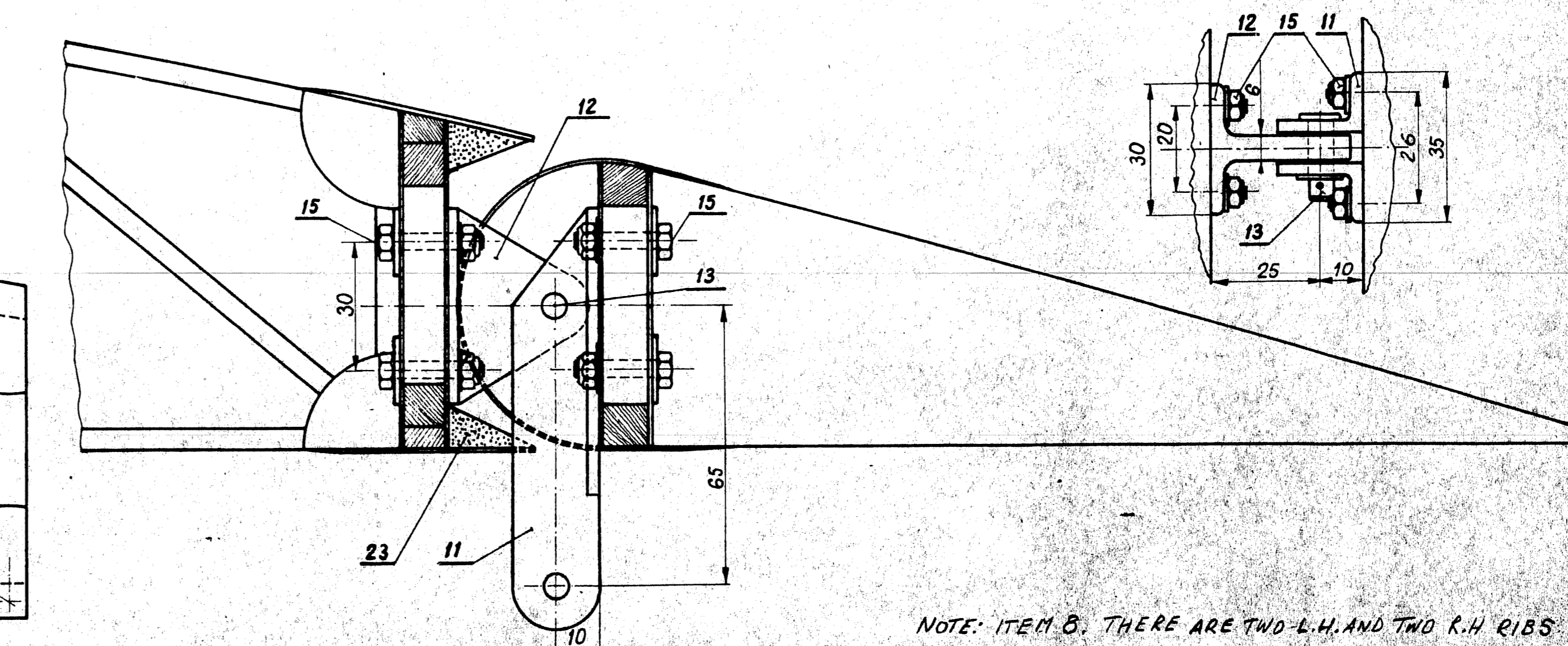
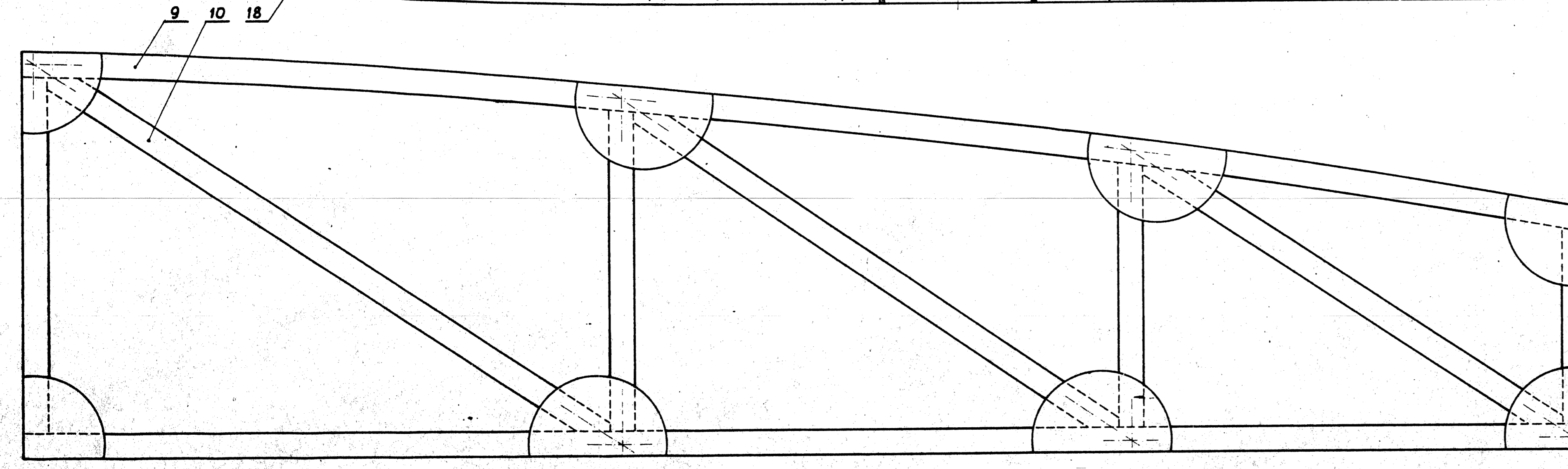
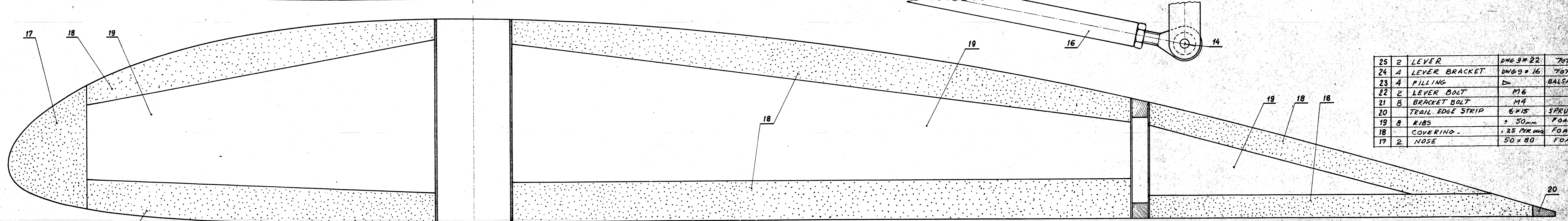
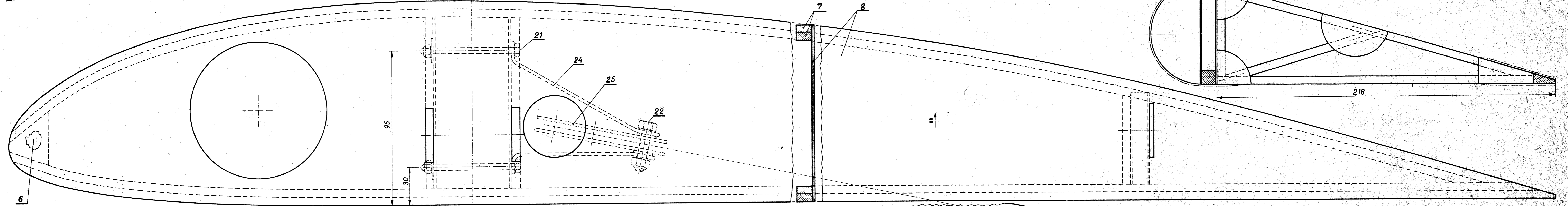
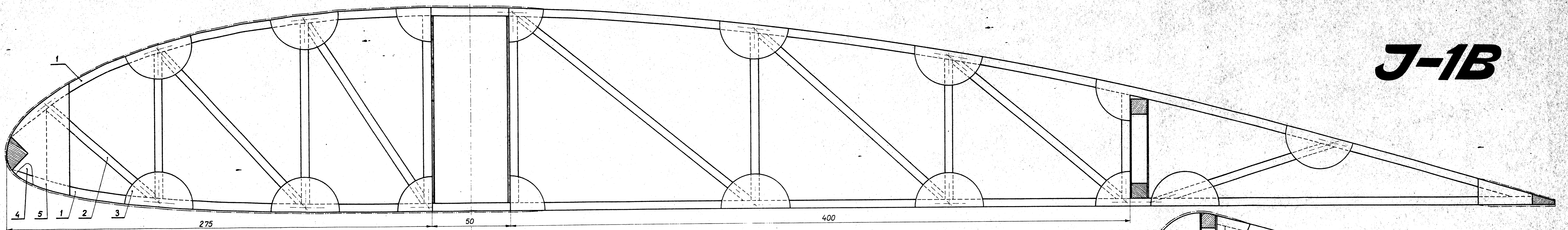
J-1B



40	2	MOUNTING LUG (TOP)	2 mm	AL
39	4	MOUNTING LUG	2 mm	AL
38	1	WELL		
37	1	STRAINER		WIRE MESH
36	1	FUEL GAUGE		
35	1	FILLER CAP		
34	1	FILLER		
33	1	FUEL TANK		FIBER GLASS
32	2	LANDING GEAR DETAIL	PER DWG.	
31	2	DAMPING INSERTS	PER DWG.	NYLON
30	2	FUSELAGE TOP LONGERON	7x21mm (6m)	SPRUCE LAM
29	2	CABIN LONGERONS	7x21mm (6m)	SPRUCE LAM
28	2		5x9mm	SPRUCE
27	6	RIB CAP STRIP	5x7mm	SPRUCE
26	4	RIB WALL	0.6 mm	PLYW.
25	1	GUSSET	0.8 mm	PLYW.
24	1	HINGE BLOCK	0.9 mm	SPRUCE
23	1	GUSSET	0.8 mm	PLYW.
22	1	HINGE BLOCK	0.9 mm	SPRUCE
21	2	RUDDER SAR CAP STRIP	9x9x950	SPRUCE
20	2	CABIN REINFORC.	c 1.5mm	PLYW.
19	2	CABIN REINFORC.	c 1.5mm	PLYW.
18	1	FUSELAGE TOP COVER	c 2 mm	PLYW.
17	2	RUDDER CABLE FITTING	L30x30	AL
16	2	BOLT	M 6	STEEL
15	2	RUDDER PEDAL	8 mm	PLYW.
14	1	COVERING	2 mm	PLYW.
13	2	STRIP	10x10x300	SPRUCE
12	1	TAIL WHEEL BLOCK	c 10 mm	PLYW.
11	2	CONTROLS SUPPORT	6 mm	PLYW.
10	6	INTERNAL COVERING	5x20mm	SPRUCE
9	2	INTERNAL COVERING	2 mm	PLYW.
8	2	INTERNAL COVERING	5x20mm	SPRUCE
7	2	INTERNAL COVERING	c 20 mm	BALSA OR FOAM
6	2	LANDING GEAR BLOCK	c 20 mm	PLYW.
5	2	INTERNAL COVERING	c 2 mm	PLYW.
4	4	FILLER		FOAM
3	2	CONNECTING BLOCK	c 20 mm	SPRUCE
2	2	LOWER LONGERON	20x20x1700	SPRUCE
1	2	UPPER LONGERON	20x20x1700	SPRUCE
#	QTY	ITEM	PER DWG. OR SIZE mm	MAT'L.

DESIGNED AND DRAWN BY JAROSLAV JANONSKI FUSELAGE ELEMENTS
 SCALE 1:1 DRAWING NO. 3 DATE MAR 13, 77

J-1B



25	2	LEVER	DN6 3# 22	7075
24	4	LEVER BRACKET	DN6 3# 16	7075
23	4	FILLING	D	BALSA
22	2	LEVER BOLT	M4	
21	8	BRACKET BOLT	M4	
20	1	TRAIL EDGE STRIP	6x15	SPRUCE
19	8	RIBS	± 50mm	FOAM
18	1	COVERING	± 25 PER MM	FOAM
17	2	NOSE	50 x 80	FOAM

16	2	PUSH ROD	PER DWG.	
15	2	HINGE BOLT	M4	
14	2	LEVER BOLT	M6	
13	4	HINGE PIN	4/6	
12	4	AILERON HINGE	LEFT VIEW PER DWG.	7075
11	4	SPACER	8x8	SPRUCE
10	4	SLANT RIB CAP STRIP	8x8 PER DWG.	SPRUCE
9	2	RIB WALL	# 2mm	PLYW.
8	2	RIB CAP STRIPS	5x10	SPRUCE
7	4	FILLING	8 10mm	SPRUCE
6	4	NOSE GUSSET	0.8mm	PLYW.
5	56	NOSE PIECES	7mm	SPRUCE
4	2	GUSSET	5x7x	SPRUCE
3	2	SPACER	7x5x1050	SPRUCE
2	1	RIB CAP STRIP	7x5x1050	SPRUCE
1	1	QTY	ITEM	SIZE
				MAT'L

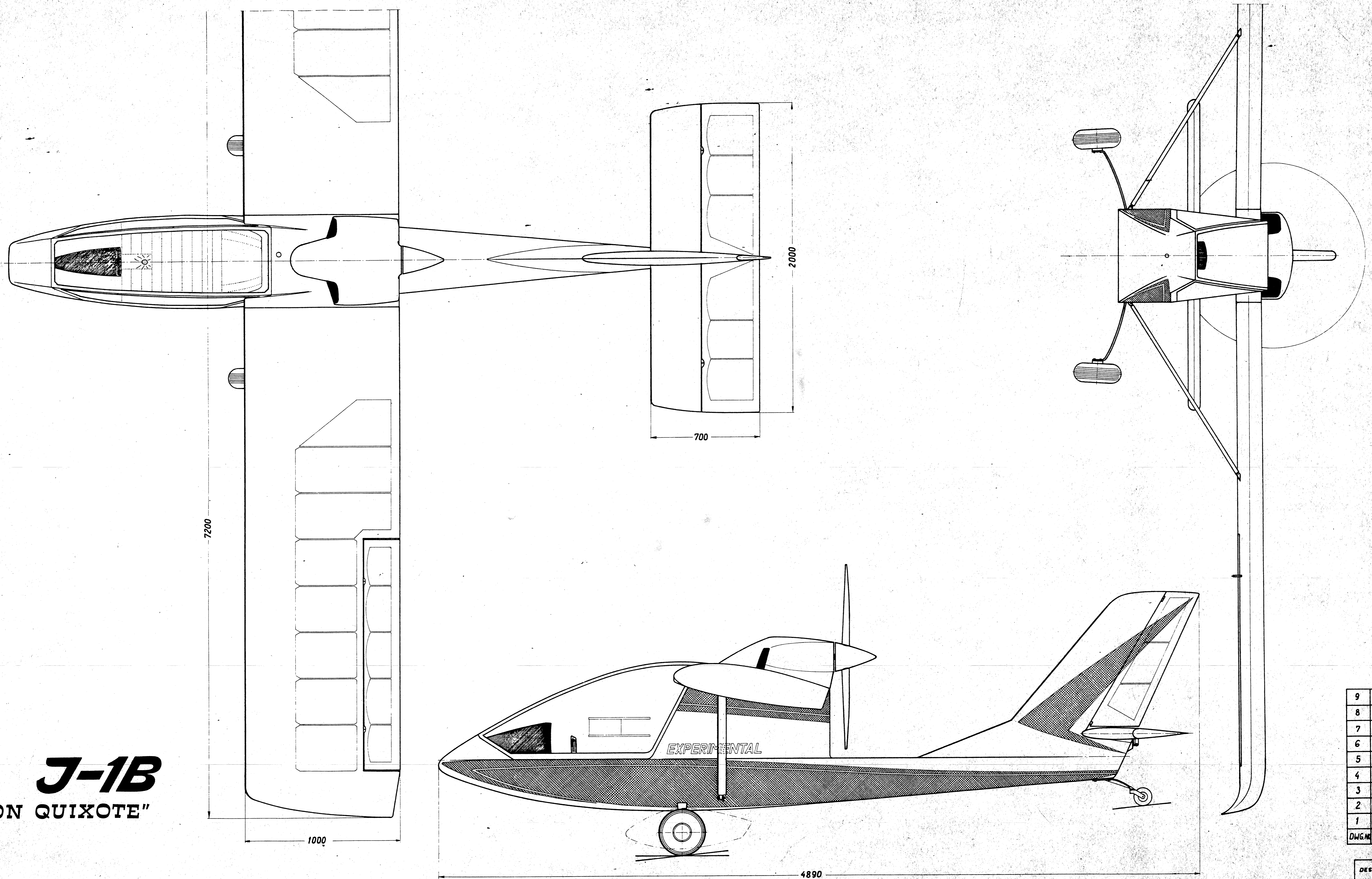
DESIGNED AND DRAWN BY
JARDSLAW ORNOWSKI

WING RIBS

SCALE: 1:1 DRAWING NO. 6 DATE: MAR 13, 77

NOTE: ITEM 8, THERE ARE TWO L.H. AND TWO R.H. RIBS

J-1B
"DON QUIXOTE"



9	DETAILS 2
8	DETAILS 1
7	HORIZONTAL EMPANAGE
6	RIBS
5	WINGS
4	BULKHEADS
3	FUSELAGE ELEMENTS
2	FUSELAGE
1	THREE VIEWS
DWG	DRAWING TITLE

DESIGNED AND DRAWN BY
JAROSLAW JANOWSKI

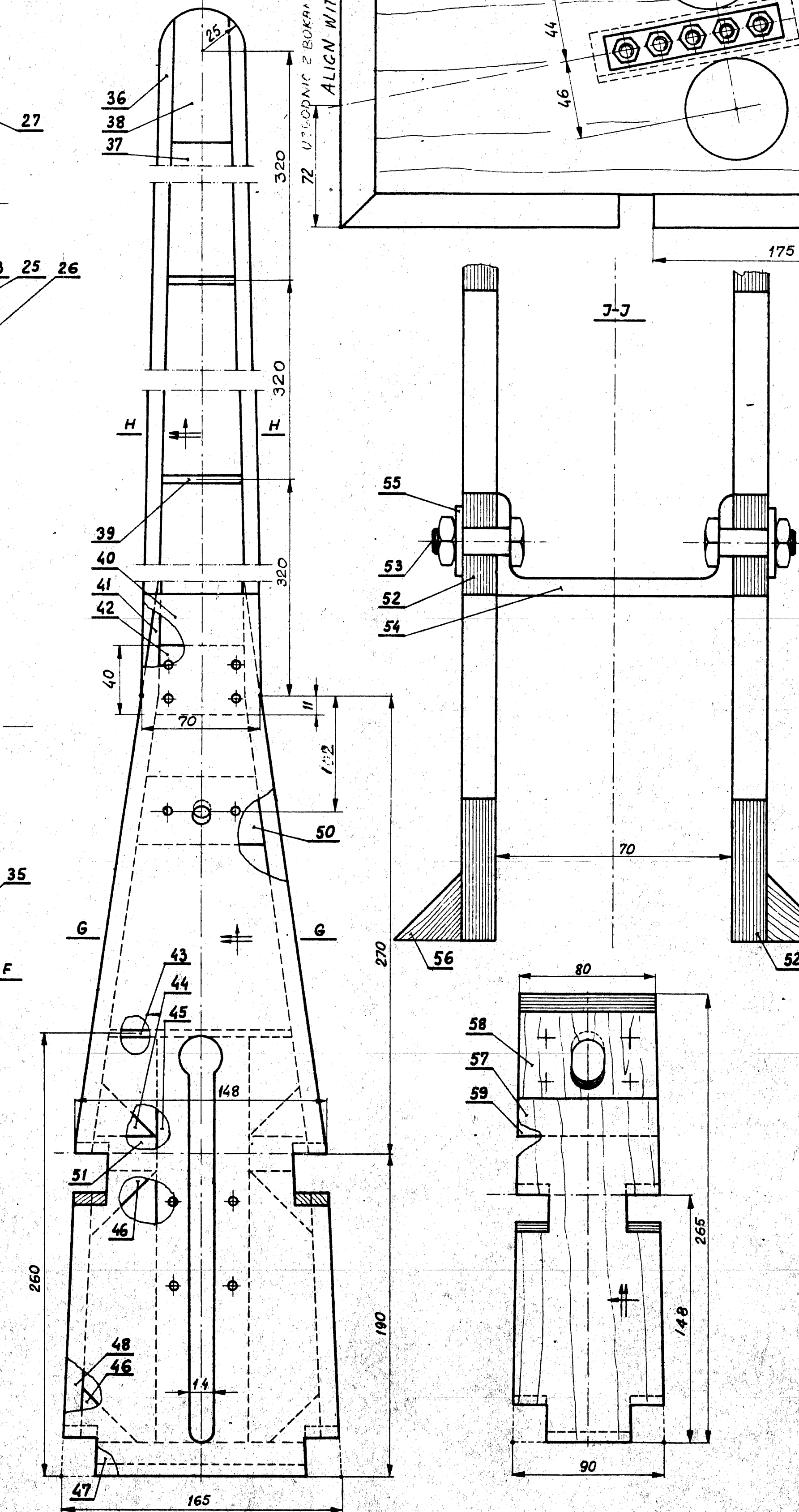
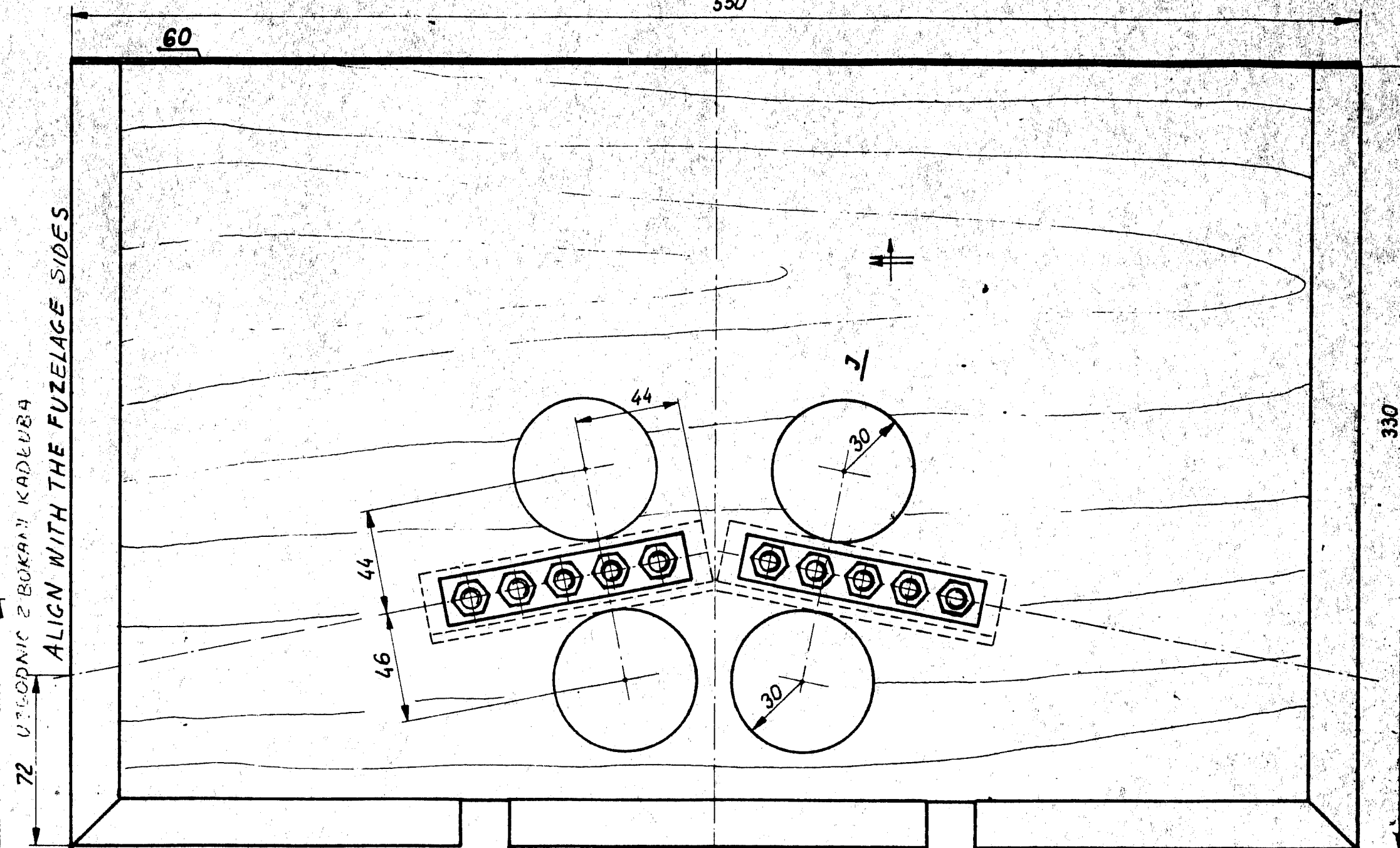
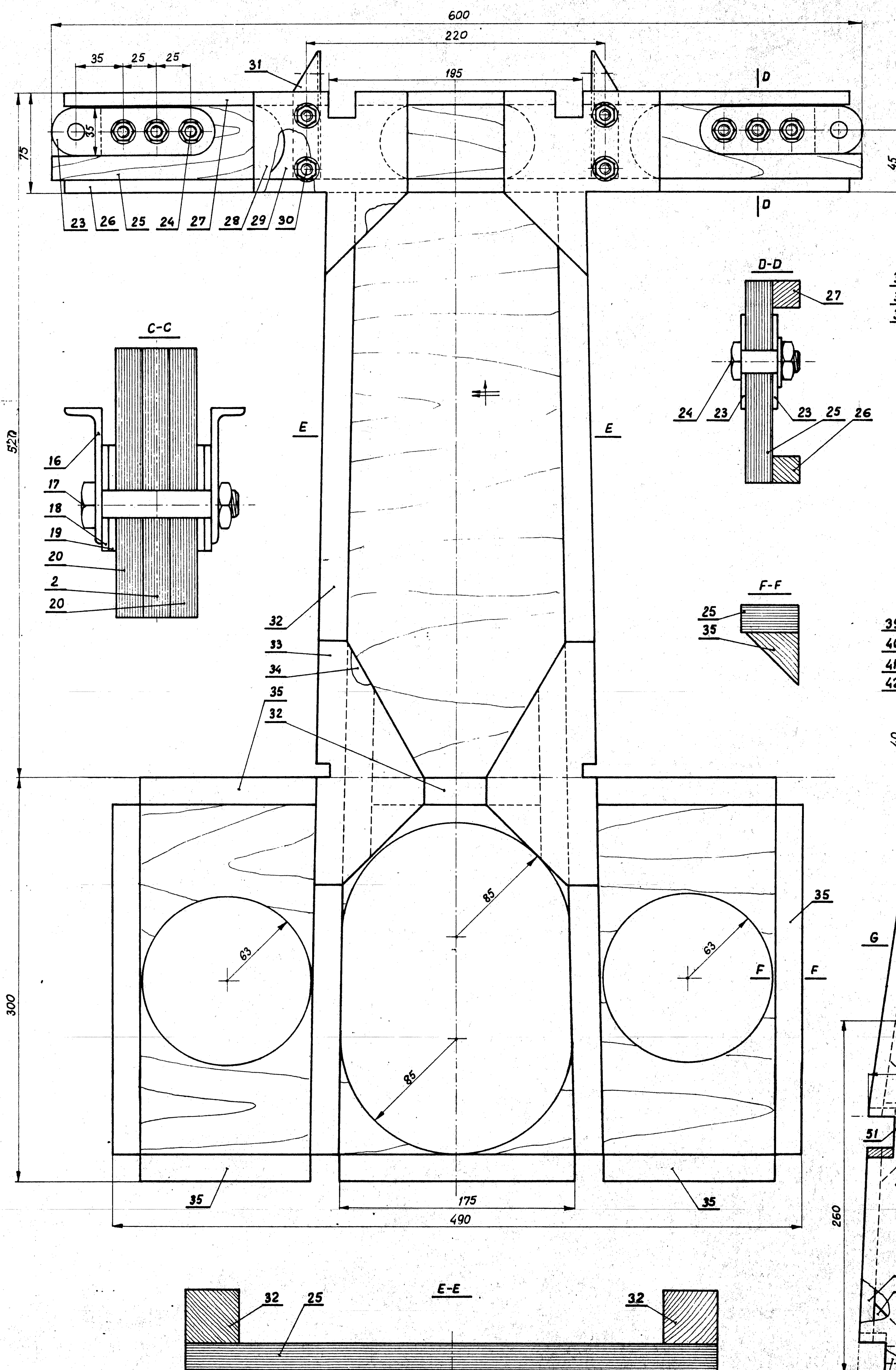
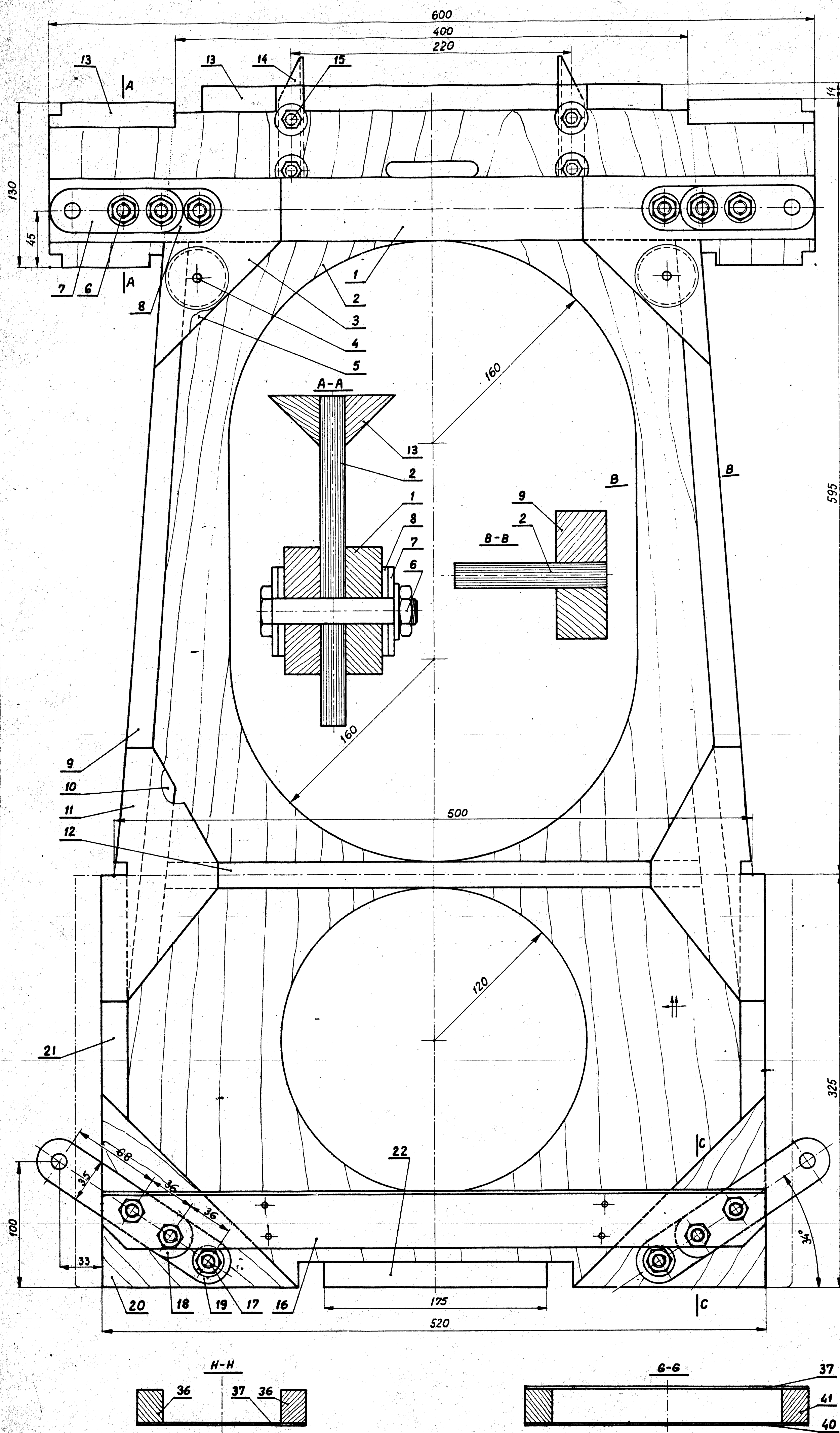
THREE VIEWS

SCALE 1:10 DRAWING NO. 1 DATE MAR 13, 77

J-1B

60	1	CLOSING PLATE	2mm	PLYW.
59	1	GUSSET	PER DWG.	PLYW.
58	1	GUSSET	PER DWG.	PLYW.

57	1	BULKHEAD WALL	210x100x370	PLYW.
----	---	---------------	-------------	-------



56	1	STRIP	2x20x20	SPRUCE
55	4	BACKING PLATE	2x20x110	2024 AL
54	1	LANDING GEAR FITTING	PER DWG.	
53	20	BOLT	M 8	
52	2	BULKHEAD WALL	210x100x370	PLYW.
51	2		20x13	SPRUCE
50	1	FITTING BLOCK	PER DWG.	SPRUCE
49				
48	2	STRIP	10x13	SPRUCE
47	1	STRIP	20x13	SPRUCE
46	4	CORNER PIECE	PER DWG.	SPRUCE
45	2		13x20	SPRUCE
44	2	CORNER PIECE	PER DWG.	SPRUCE
43	1		13x10	SPRUCE
42	1	HINGE BLOCK	PER DWG.	SPRUCE
41	2	BULKHEAD STRIP	10x13	SPRUCE
40	1	WALL	1mm	PLYW.
39	2		5x13	SPRUCE
38	1	HINGE BLOCK	PER DWG.	SPRUCE
37	1	SPAR WALL	1mm	PLYW.
36	2	SPAR CAP STRIP	13x10	SPRUCE
35	1	STRIP	2x20x20	SPRUCE
34	2	REINFORCEMENT	20x20x200	SPRUCE
33	2	GUSSET	15	PLYW.
32	2		20x20x800	SPRUCE
31	2	ENGINE MOUNT LUG	PER DWG.	
30	4	BOLT	M 8	
29	2	BLOCK	810	PLYW.
28	2	GUSSET	15mm	PLYW.
27	1	STRIP	10x10x600	SPRUCE
26	1	STRIP	10x10x600	SPRUCE
25	1	BULKHEAD WALL	10x100x600	PLYW.
24	6	BOLT	M 8	
23	4	AUXILIARY FITTING	15x40x125	4130
22	2		20x20	SPRUCE
21	4		20x20x200	SPRUCE
20	4	CORNER PIECES	10	PLYW.
19	4	STRUT FITTING	4130	
18	4	STRUT FITTING	4130	
17	6	BOLTS STRUT FITTING	M10	
16	2	BRACKET	3x125x50	4130
15	4	BOLTS	M 8	
14	2	ENGINE MOUNT LUGS	PER DWG.	
13	13	REINFORCEMENT	20x20	SPRUCE
12	2		20x20x480	SPRUCE
11	4	GUSSET	15	PLYW.
10	4	REINFORCEMENT	20x20x200	SPRUCE
9	4	STRIP	20x20x630	SPRUCE
8	4	MAIN FITTING	PER DWG.	STL
7	4	MAIN FITTING	25mm	STL
6	6	MAIN FITTING BOLTS	M10 1/2	
5	4	CORNER BLOCK	20mm	SPRUCE
4	4	PULLEY W. AXLE		
3	4	GUSSET	15mm	PLYW.
2	1	BULKHEAD WALL	110x600x380	PLYW.
1	2	MAIN BULKHEAD BEAM	Mx50x600	SPRUCE
#	QTY.	ITEM	PER DWG.	MAT'L.

DESIGNED AND DRAWN BY
JAROSLAW JAMOWSKI
SCALE 1:2, 1/4" = 1" DRAWING NO. 4 DATE FEB 13, 77