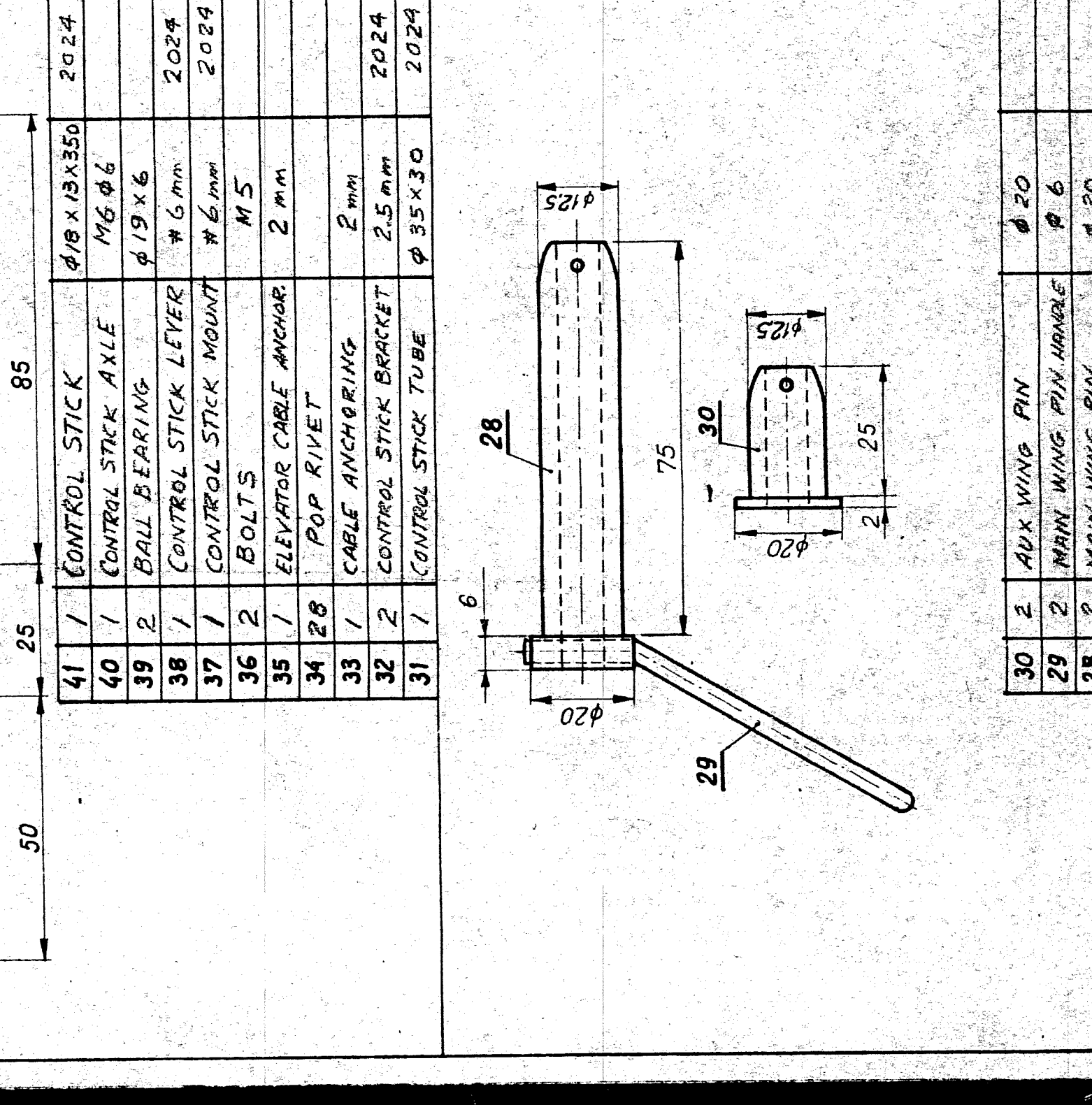
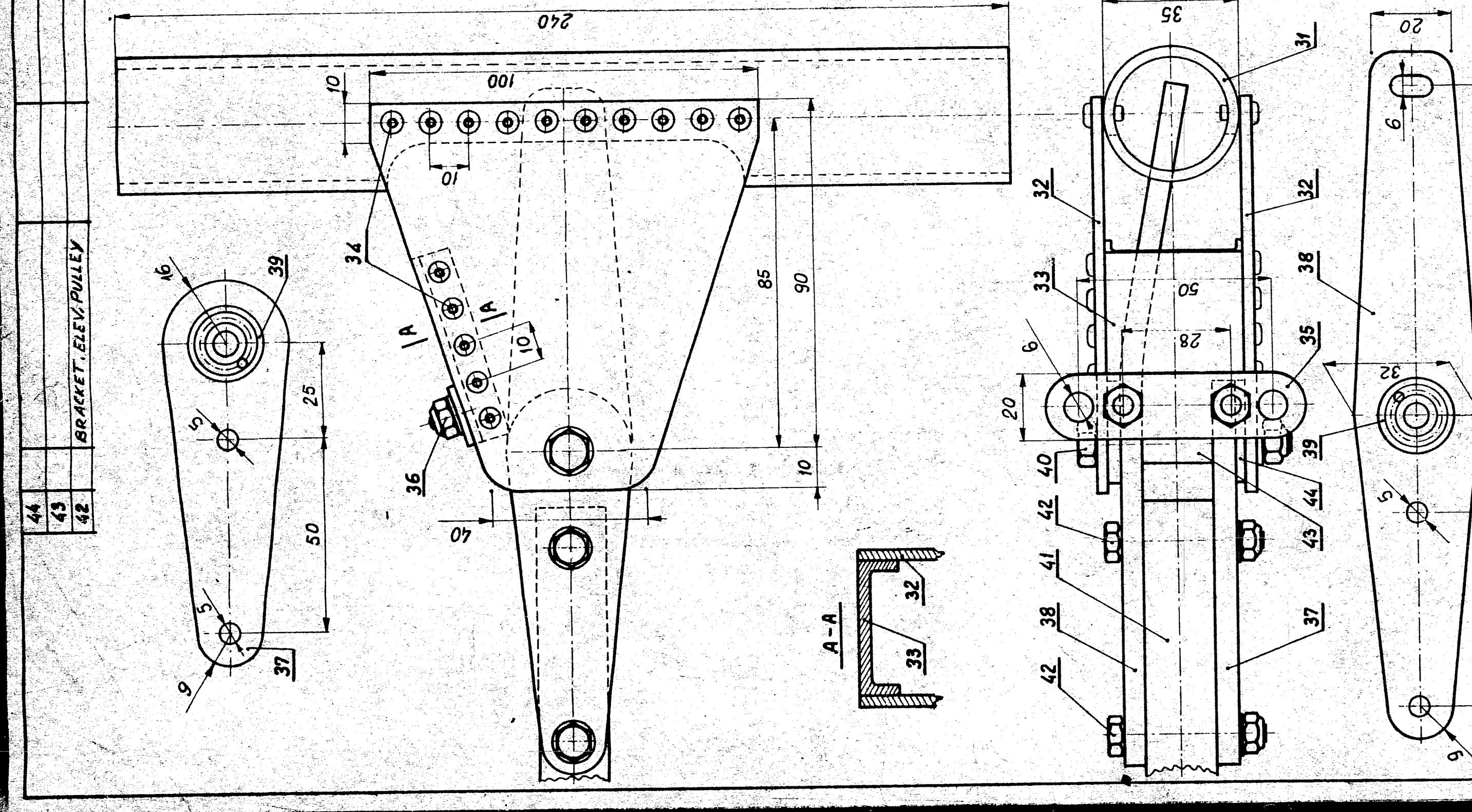
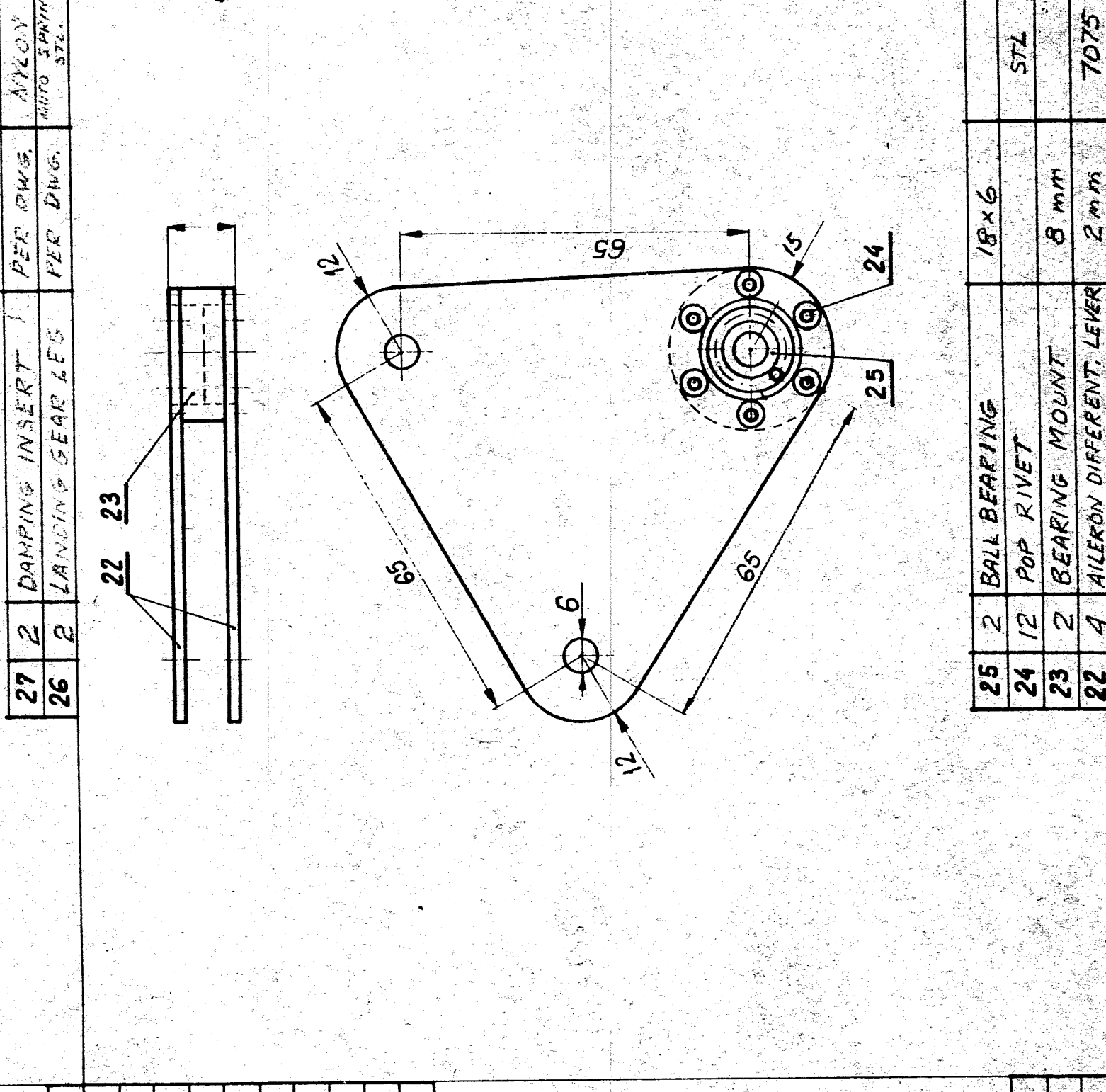
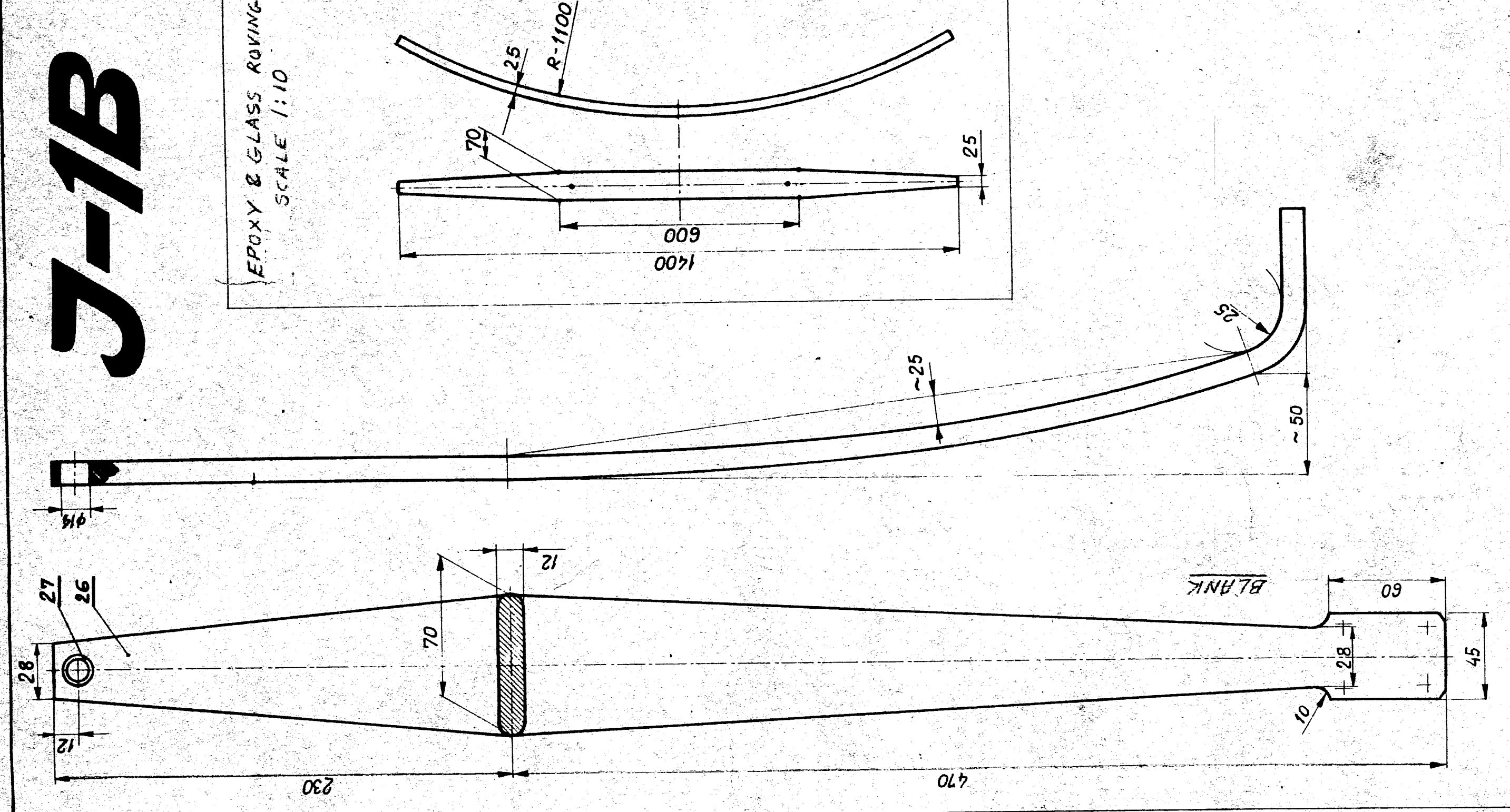
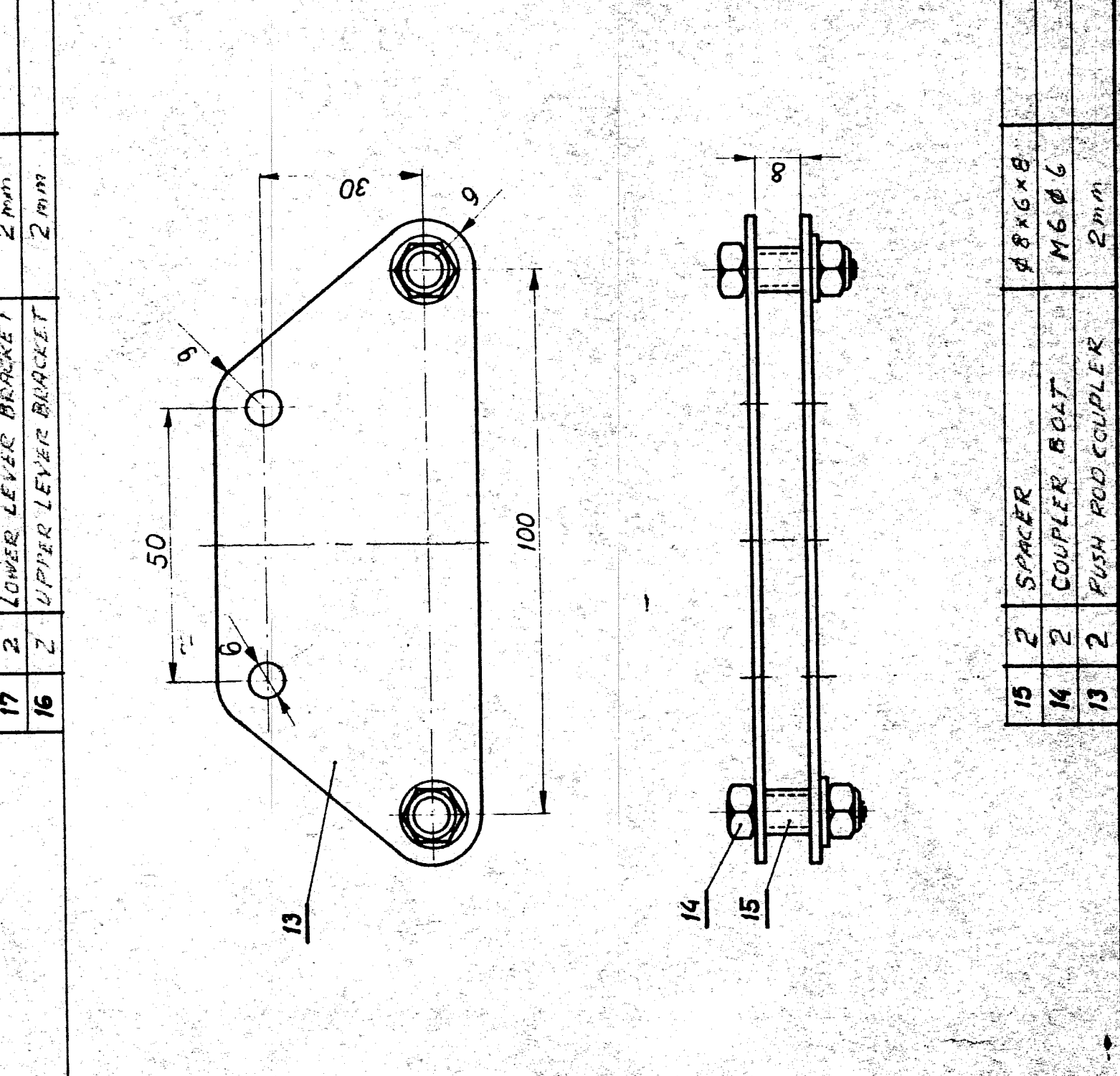
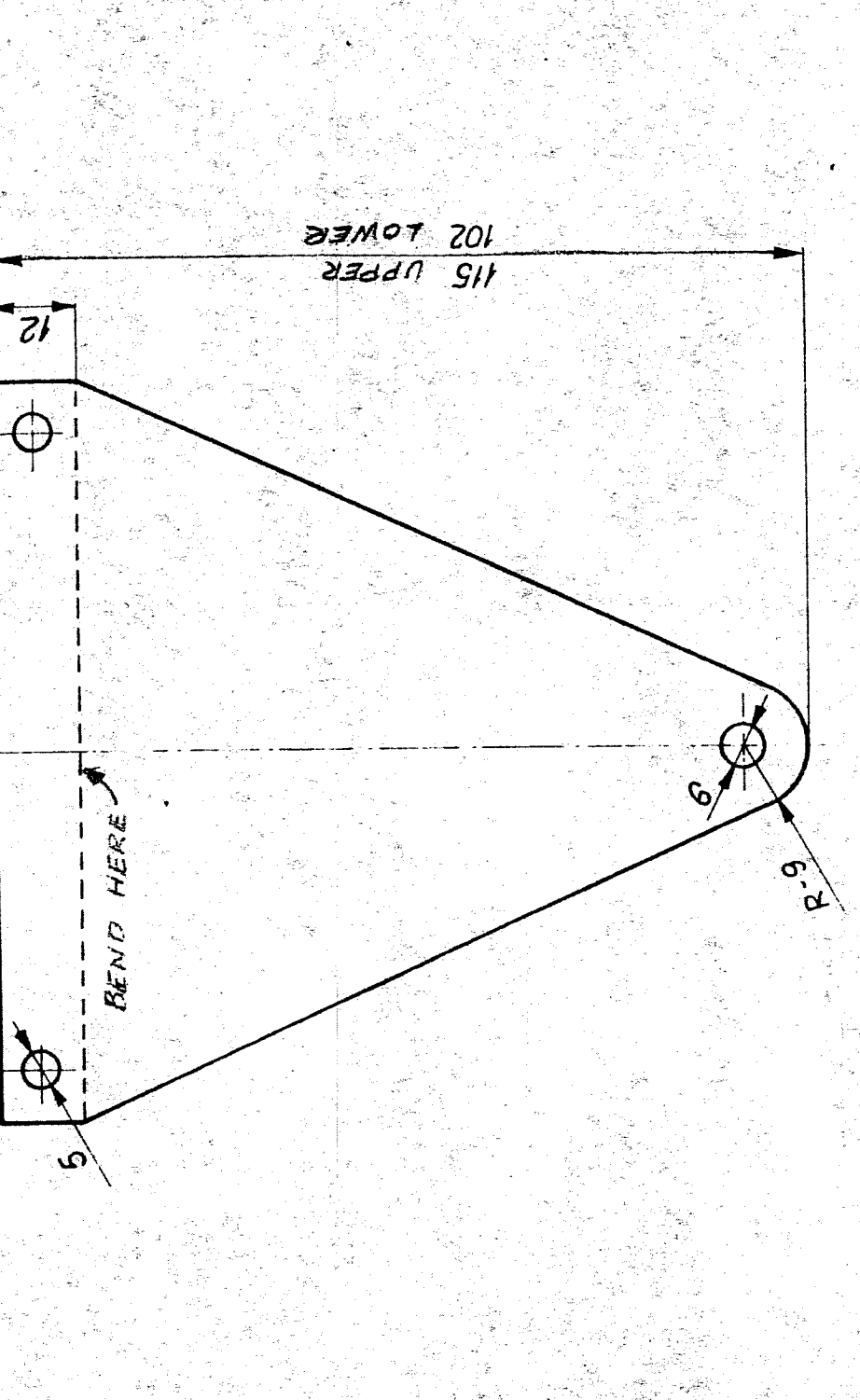
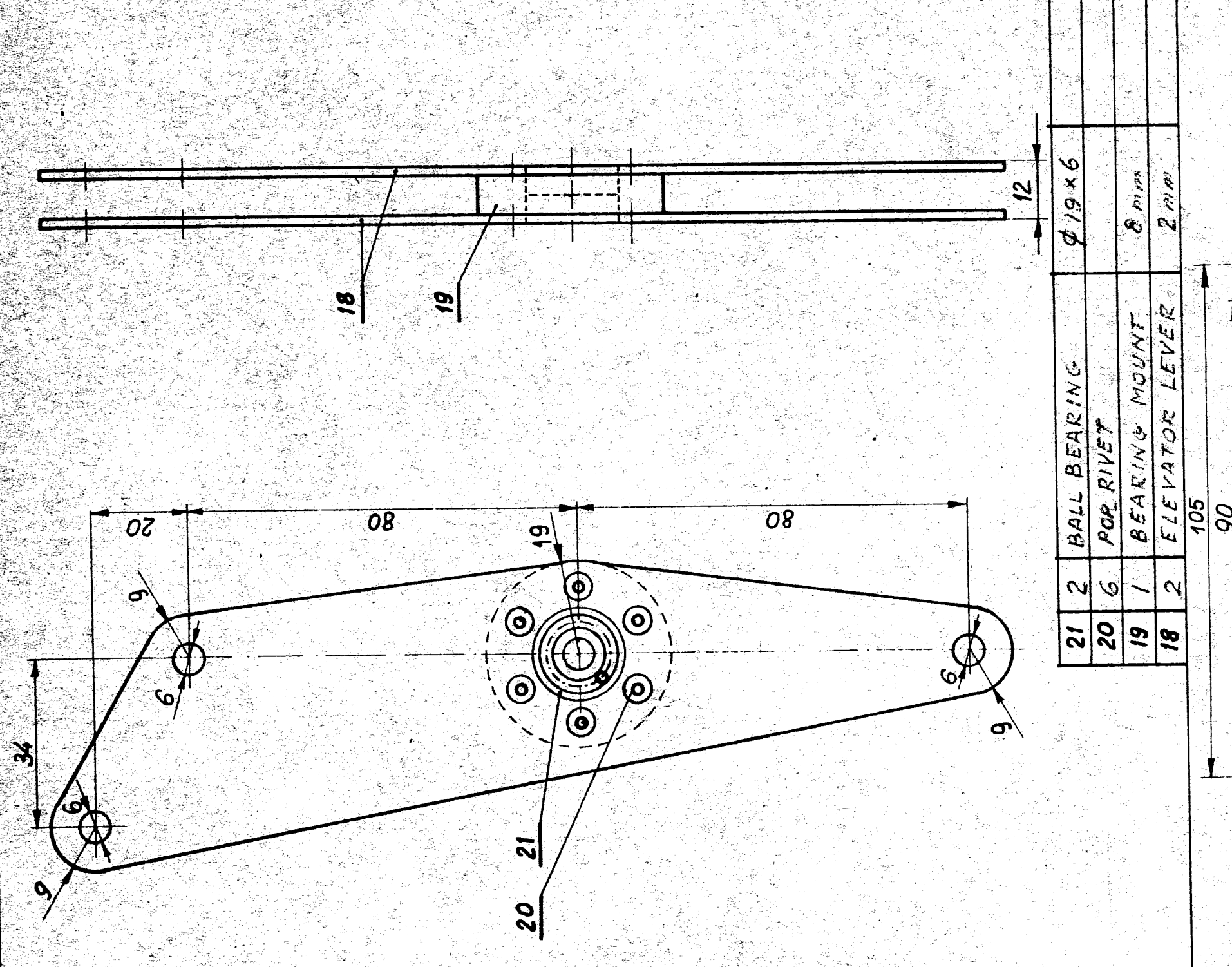
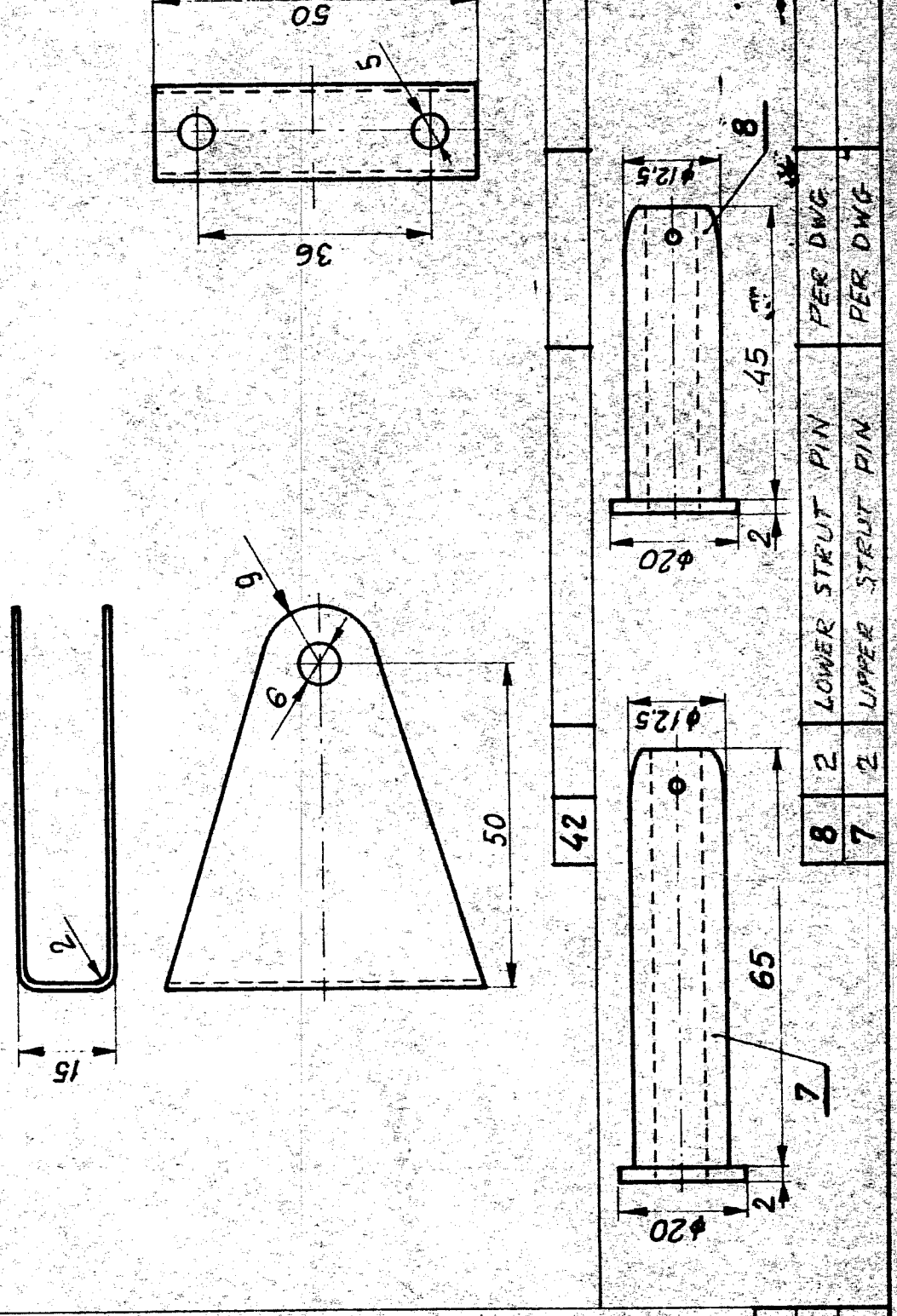
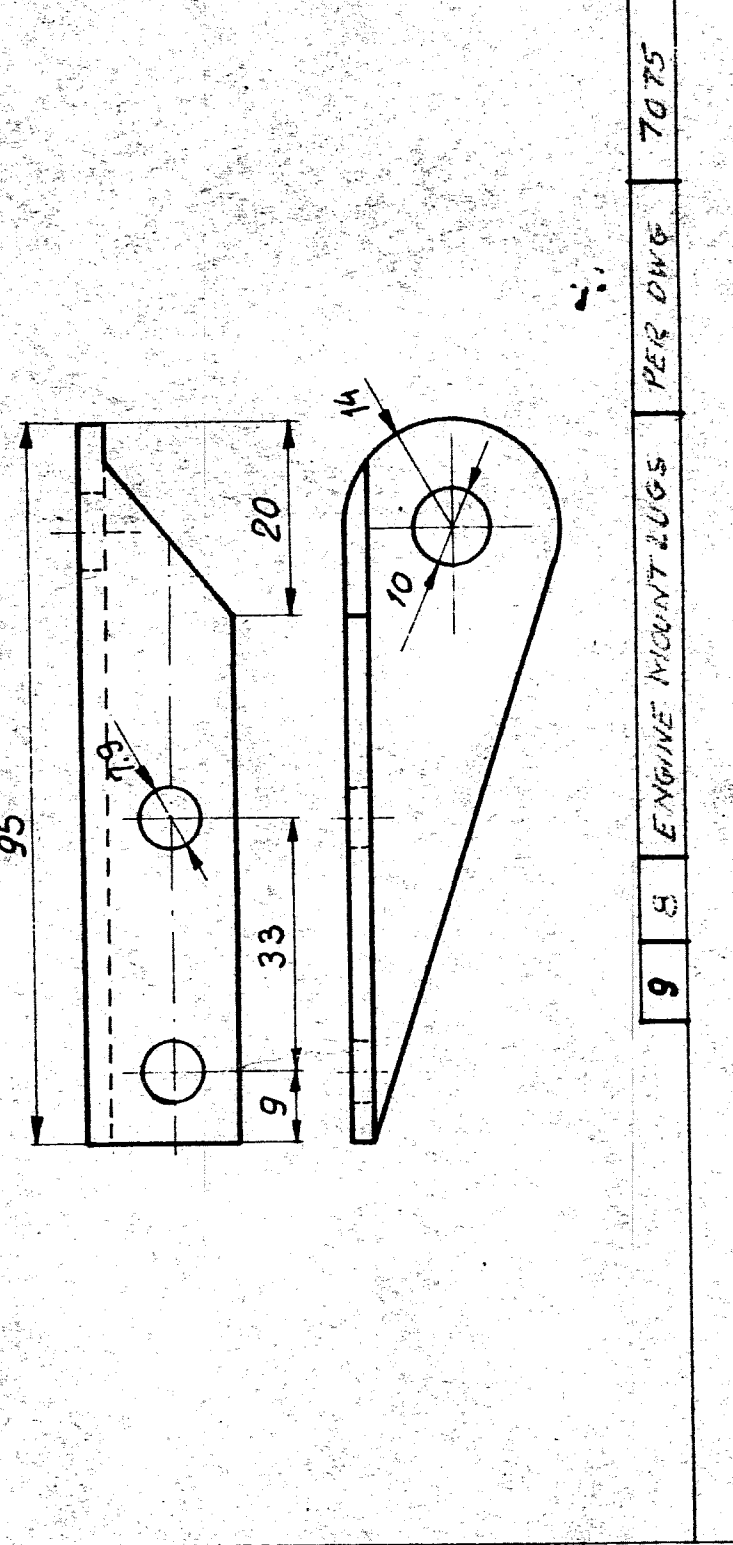
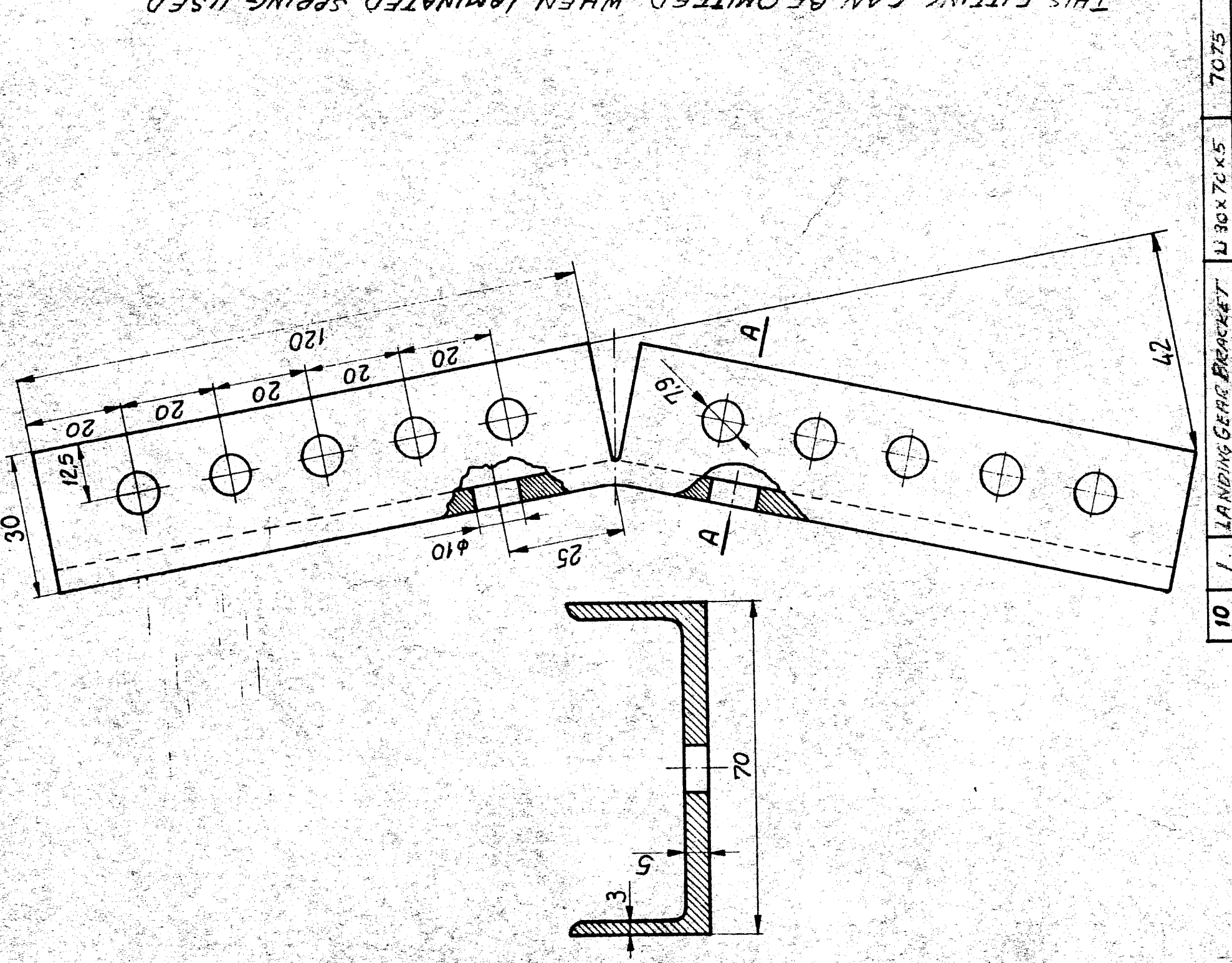
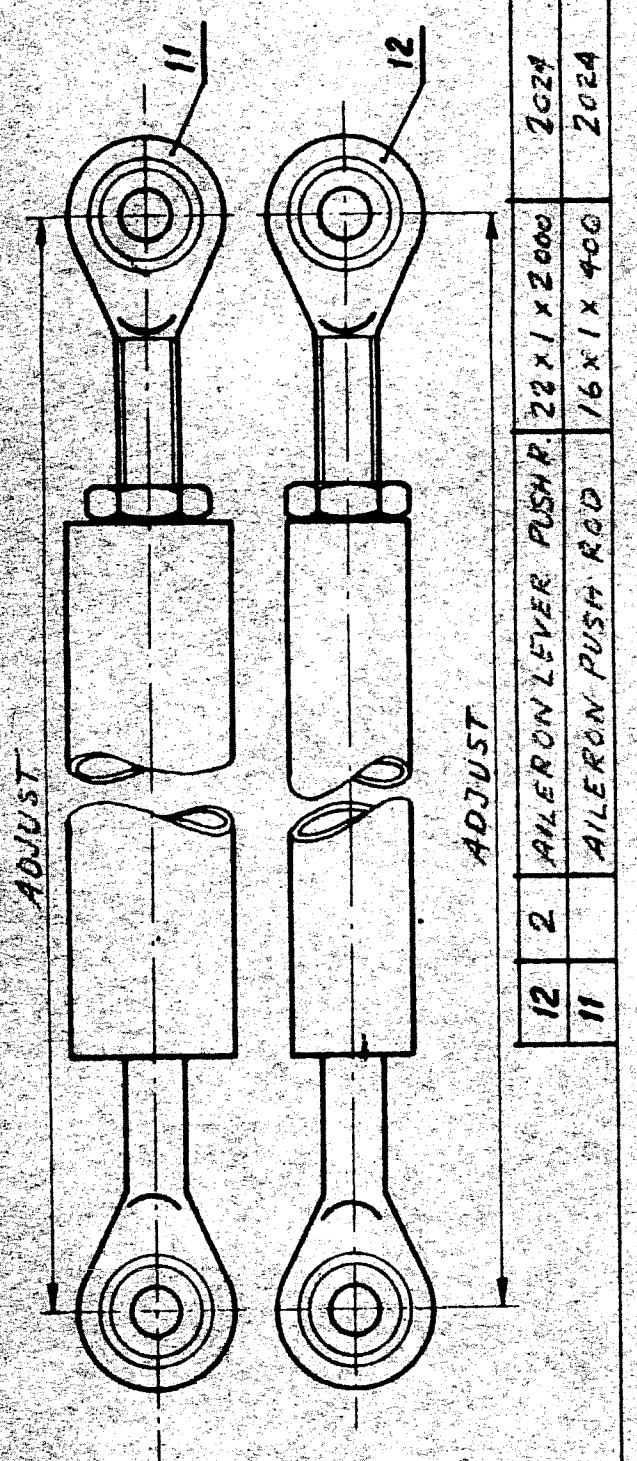


5	16	TUBULAR RIVETS	STL
4	1	FILLING	HARDWOOD
3	2	STRAUT LOWER FITTING	#25 TUBE
2	2	STRAUT UPPER FITTING	#25 TUBE
1	2	WING STRUT TUBE	15N-20-1 #130

DESIGNED AND DRAWN BY
JACOB LAMONSKI
SCALE 1:1, 1:2
DRAWING NO. 9
DATE MAR 17 77
DETAILS 2



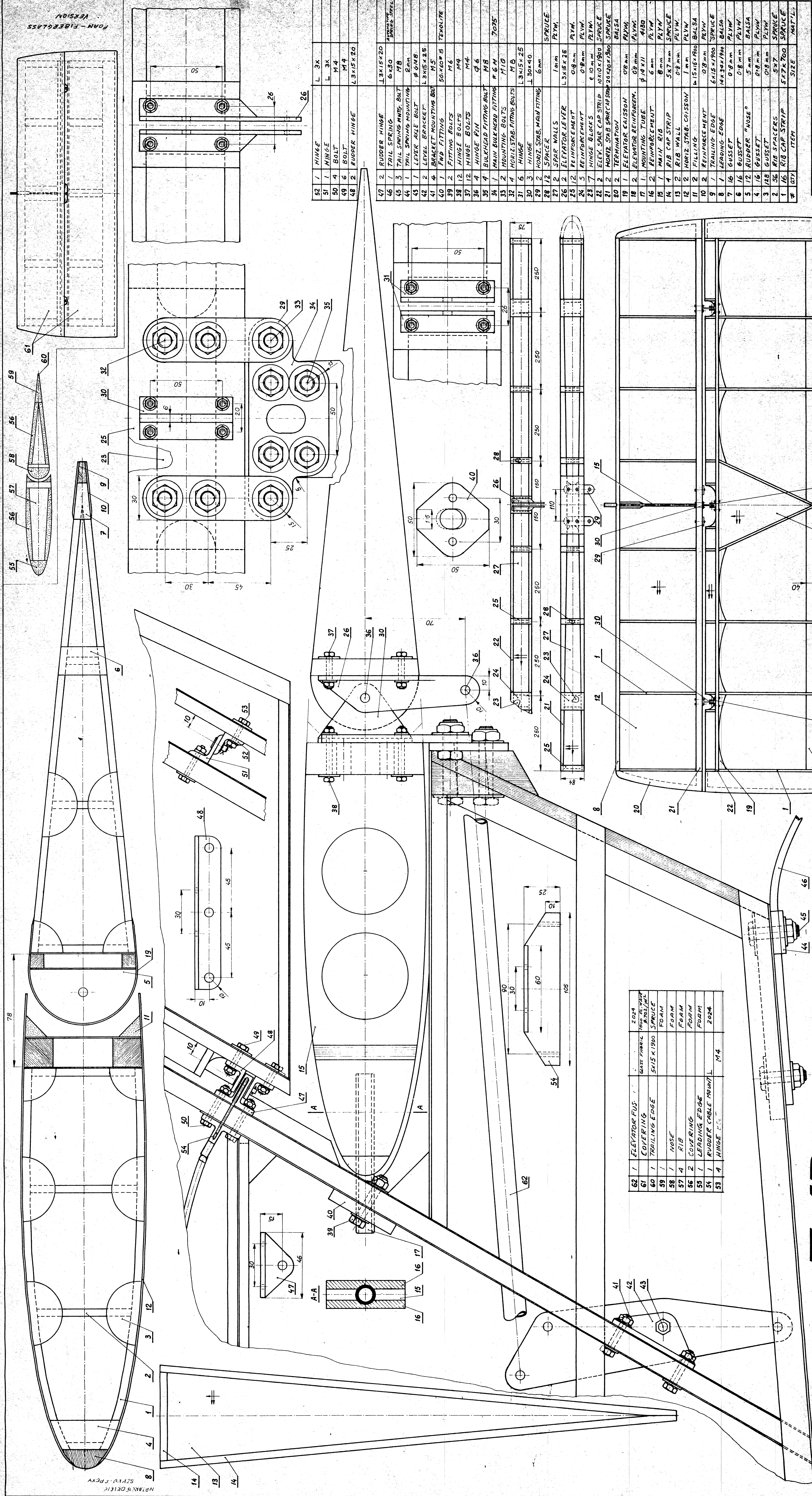
J-1B

EPOXY & GLASS ROVING
SCALE 1:1.0

25	2	BALL BEARING	1/8 x 6	STL
24	12	POP RIVET	8 mm	7075
23	2	BEARING MOUNT	8 mm	
22	4	ALLOY DIFFERENTIAL LEVER	2 mm	

41	1	CONTROL STICK	4/8 x 1/8 x 350	2024
40	1	CONTROL STICK AXLE	M6 x 6	
39	2	BALL BEARING	1/8 x 6	2024
38	1	CONTROL STICK LEVER	#6 mm	2024
37	1	CONTROL STICK MOUNT	#6 mm	2024
36	2	BOLTS	M5	
35	1	ELEVATOR CABLE ANCHOR	2 mm	
34	28	POP RIVET	2 mm	2024
33	1	CABLE ANCHORING	2 mm	2024
32	2	CONTROL STICK BRACKET	2.5 mm	2024
31	1	CONTROL STICK TUBE	4/32 x 30	2024

30	2	AUX WING PIN	8.20	
29	2	MAIN WING PIN WANK	8.6	
28	2	MAIN WING PIN	8.20	



FOAM-FIBERGLASS
VERSION

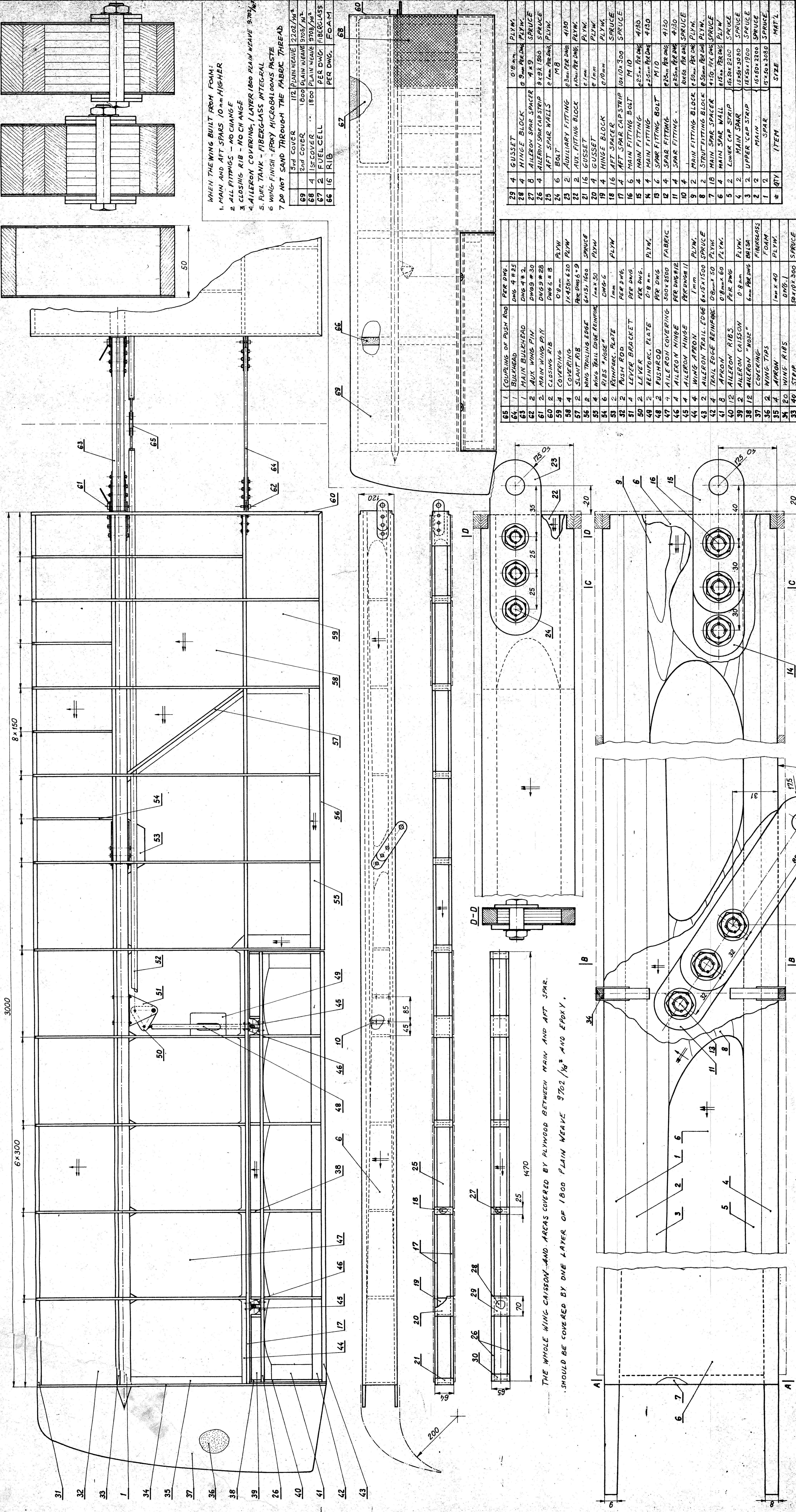
MARK ORIGIN
SEPT - FEB

52	HINGE	L 3X	1.8X15X20
51	HINGE	M 4	6X30
50	BOLT	M 4	17B
49	BOLT	M 4	17B
48	RUDDER HINGE	L 3.1X18X20	1.8X15X20
47	RUDDER HINGE	L 3.1X15X20	1.8X15X20
46	TAIL SPRING	6X30	6X30
45	TAIL SPRING	6X30	6X30
44	LEVER	6X10	6X10
43	LEVER	6X10	6X10
42	LEVER	6X10	6X10
41	BRACKET	1.8X15X25	1.8X15X25
40	BRACKET	1.8X15X25	1.8X15X25
39	FITTING	50X60X15	50X60X15
38	FITTING	M 4	M 4
37	HINGE	M 4	M 4
36	HINGE	M 4	M 4
35	HINGE	M 4	M 4
34	HINGE	M 4	M 4
33	HINGE	M 4	M 4
32	HINGE	M 4	M 4
31	HINGE	M 4	M 4
30	HINGE	M 4	M 4
29	HINGE	M 4	M 4
28	HINGE	M 4	M 4
27	HINGE	M 4	M 4
26	HINGE	M 4	M 4
25	HINGE	M 4	M 4
24	HINGE	M 4	M 4
23	HINGE	M 4	M 4
22	HINGE	M 4	M 4
21	HINGE	M 4	M 4
20	HINGE	M 4	M 4
19	HINGE	M 4	M 4
18	HINGE	M 4	M 4
17	HINGE	M 4	M 4
16	HINGE	M 4	M 4
15	HINGE	M 4	M 4
14	HINGE	M 4	M 4
13	HINGE	M 4	M 4
12	HINGE	M 4	M 4
11	HINGE	M 4	M 4
10	HINGE	M 4	M 4
9	HINGE	M 4	M 4
8	HINGE	M 4	M 4
7	HINGE	M 4	M 4
6	HINGE	M 4	M 4
5	HINGE	M 4	M 4
4	HINGE	M 4	M 4
3	HINGE	M 4	M 4
2	HINGE	M 4	M 4
1	HINGE	M 4	M 4

62	ELEVATOR FUS	2024
61	COVERING	2024
60	TRAILING EDGE	5X15 X 1900
59	NOSE	FOAM
58	RIB	FOAM
57	COVERING	FOAM
56	LEADING EDGE	FOAM
55	RUDDER CABLE MOUNT	2024
54	HINGE	M 4

J-1B

DESIGNED AND DRAWN BY
JAROSLAW JANOWSKI
SCALE 1:1
DRAWING NO. 7
DATE MAR 1971



WHEN THE WING BUILT FROM FOAM:
 1. MAIN AND AFT SPARS 10mm HIGHER
 2. ALL FITTINGS - NO CHANGE
 3. CLOSING RIB - NO CH ANGE
 4. ALLECON COVERING / LAYER 1800 PLAIN WEAVE 9702
 5. FUEL TANK - FIBREGLASS INTEGRAL
 6. WING FINISH - EPOXY MICROBALLOONS PASTE
 7 DO NOT SAND THROUGH THE FABRIC THREAD

3rd COVER	112	PLAIN WEAVE 2202/4x4
2nd COVER	1800	PLAIN WEAVE 9702/4x4
1st COVER	1800	PLAIN WEAVE 9702/4x4
FUEL CELL		PER DWG. FIBREGLASS
RIB		PER DWG. FOAM

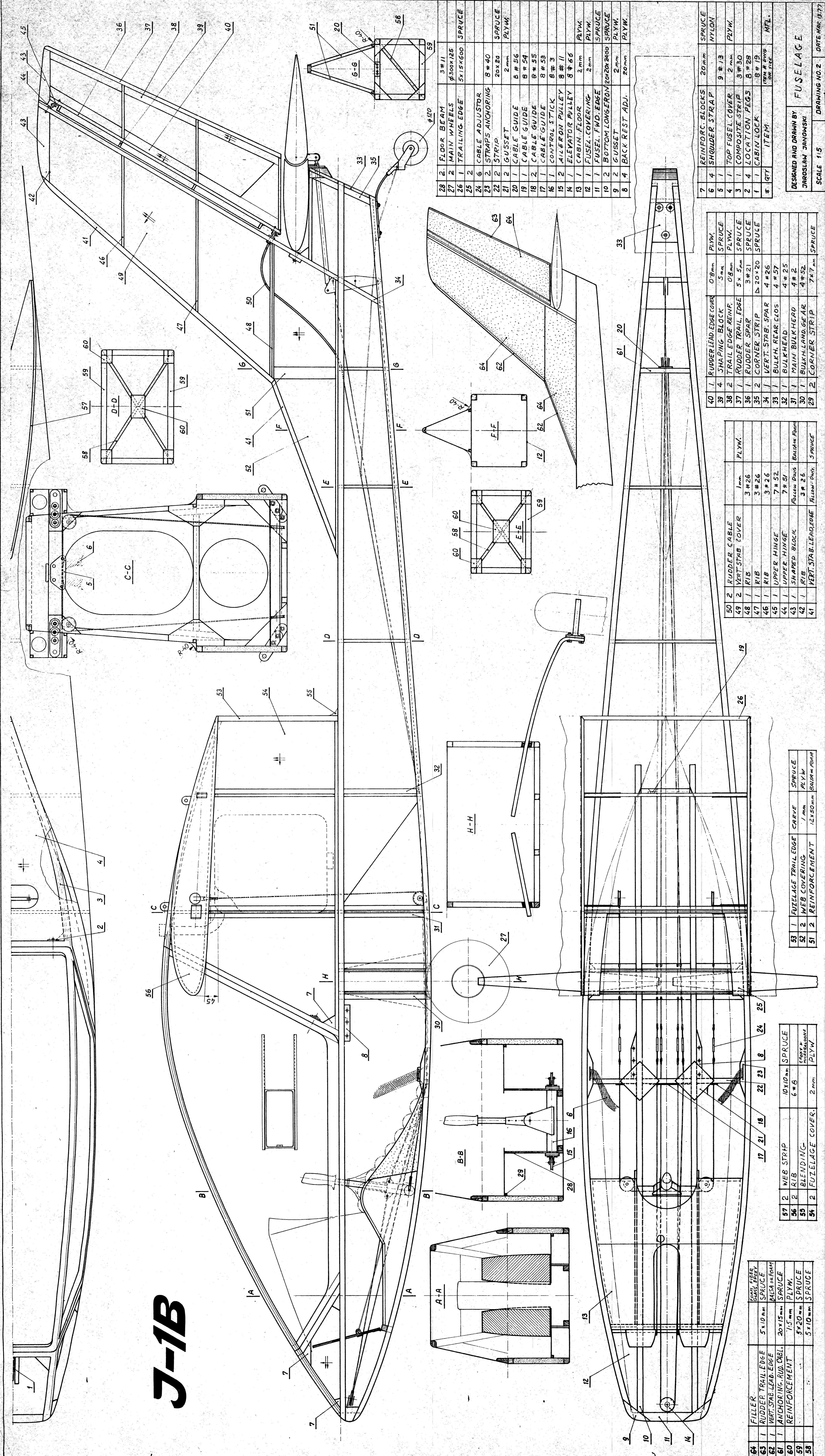
23	4	GUSSET	Ø 8mm	PLYM
24	4	HINGE BLOCK	Ø 9mm	PLYM
25	8	ALLECON SPAR SPACER	4 x 9	SPRUC
26	4	ALLECON SPAR SPACER	9 x 9	SPRUC
27	2	AFT SPAR WALLS	Ø 8mm	PLYM
28	1	BOLT	M 8	
29	2	AUXILIARY FITTING	Ø 25mm	PER DWG.
30	2	AUXILIARY FITTING	Ø 25mm	PER DWG.
31	2	GUSSET	Ø 1mm	PLYM
32	4	HINGE BLOCK	Ø 10mm	PLYM
33	17	AFT SPAR CAPSTRIP	10x10x300	SPRUC
34	16	MAIN FITTING	Ø 25mm	PER DWG.
35	4	MAIN FITTING	Ø 25mm	PER DWG.
36	2	SPAR FITTING	M 10	
37	11	SPAR FITTING	Ø 25mm	PER DWG.
38	2	MAIN FITTING BLOCK	Ø 25mm	PER DWG.
39	2	STRUCTURE BLOCK	Ø 25mm	PER DWG.
40	17	MAIN SPAR SPACER	4x9	SPRUC
41	6	MAIN SPAR WALL	Ø 8mm	PLYM
42	2	LOWER CAP STRIP	Ø 8mm	PER DWG.
43	2	MAIN SPAR	Ø 8mm	PER DWG.
44	2	UPPER CAP STRIP	Ø 8mm	PER DWG.
45	1	MAIN	Ø 8mm	PER DWG.
46	1	SPAR	Ø 8mm	PER DWG.
47	1	ITEM	Ø 8mm	PER DWG.
48	1	ITEM	Ø 8mm	PER DWG.

65	1	COUPLING OF PUSH ROD	PER DWG.
66	1	BULKHEAD	DWG 4 R 25
67	1	MAIN BULKHEAD	DWG 4 R 2
68	2	AUX WING FIN	DWG 9 R 30
69	2	MAIN WING FIN	DWG 9 R 28
70	2	CLOSING RIB	DWG 5 R 8
71	4	COVERING	Ø 8mm
72	4	COVERING	1x450x420 PLYM
73	2	WING TRAILING EDGE	Ø 15x1600
74	4	WING TRAILING EDGE REINFORC	Ø 8x50
75	2	RIBS "HUB"	DWG 6
76	2	REINFORC. PLATE	1mm
77	2	PUSH ROD	PER DWG.
78	2	LEVER BRACKET	PER DWG.
79	2	REINFORC. PLATE	Ø 8mm
80	2	PUSH ROD	PER DWG.
81	2	COVERING	PER DWG.
82	2	COVERING	PER DWG.
83	2	COVERING	PER DWG.
84	2	COVERING	PER DWG.
85	2	COVERING	PER DWG.
86	2	COVERING	PER DWG.
87	2	COVERING	PER DWG.
88	2	COVERING	PER DWG.
89	2	COVERING	PER DWG.
90	2	COVERING	PER DWG.
91	2	COVERING	PER DWG.
92	2	COVERING	PER DWG.
93	2	COVERING	PER DWG.
94	2	COVERING	PER DWG.
95	2	COVERING	PER DWG.
96	2	COVERING	PER DWG.
97	2	COVERING	PER DWG.
98	2	COVERING	PER DWG.
99	2	COVERING	PER DWG.
100	2	COVERING	PER DWG.

DESIGNED AND DRAWN BY
 JAROSLAW JANOWSKI
 SCALE 1:1
 DRAWING NO. 5
 DATE MAR 87

J-1B

J-1B



28	2	FLOOR BEAM	3x11	SPRUCE
27	2	MAIN WHEELS	8300x125	SPRUCE
26	1	TRAILING EDGE	5x15x600	SPRUCE
25	2	CABLE ADJUSTOR	8x40	SPRUCE
24	6	STRAP ANCHORING	20x20	PLYM.
23	2	STRIP	8x56	SPRUCE
22	2	GUSSET	8x56	SPRUCE
21	2	CABLE GUIDE	8x56	SPRUCE
20	1	CABLE GUIDE	8x56	SPRUCE
19	1	CABLE GUIDE	8x56	SPRUCE
18	2	CABLE GUIDE	8x56	SPRUCE
17	1	CABLE GUIDE	8x56	SPRUCE
16	1	CONTROL STICK	8x3	SPRUCE
15	2	ELEVATOR PULLEY	8x11	SPRUCE
14	1	ELEVATOR PULLEY	8x65	SPRUCE
13	1	CABIN FLOOR	2mm	PLYM.
12	1	FUSEL. COVERING	2mm	PLYM.
11	2	FUSEL. FWD. EDGE	SPRUCE	SPRUCE
10	2	BOTTOM LONGERON	20x20x200	SPRUCE
9	2	GUSSET	2mm	PLYM.
8	4	BACK REST ADJ.	20mm	PLYM.

40	1	RUDDER LEAD EDGE COVER	0.8mm	PLYM.
39	4	SHAPING BLOCK	5mm	SPRUCE
38	2	TRAIL EDGE REINF.	0.8mm	PLYM.
37	1	RUDDER TRAIL EDGE	5x5mm	SPRUCE
36	2	CORNER STRIP	3x21	SPRUCE
35	2	VERT. STAB. SPAR	20x20	SPRUCE
34	1	VERT. STAB. SPAR	4x26	SPRUCE
33	1	BULKH. REAR CLOS.	4x57	SPRUCE
32	1	BULKHEAD	4x25	SPRUCE
31	1	MAIN BULKHEAD	4x2	SPRUCE
30	1	BULKHEAD REAR	4x52	SPRUCE
29	2	CORNER STRIP	7x7mm	SPRUCE

50	2	RUDDER CABLE	1mm	PLYM.
49	2	VERT. STAB. COVER	3x26	SPRUCE
48	1	RIB	3x26	SPRUCE
47	1	RIB	3x26	SPRUCE
46	1	RIB	3x26	SPRUCE
45	1	UPPER HINGE	7x52	SPRUCE
44	1	UPPER HINGE	7x57	SPRUCE
43	1	SHAPED BLOCK	PLYM. DRUG	BRASSING POINT
42	1	RIB	3x26	SPRUCE
41	1	VERT. STAB. LEAD EDGE	PLYM. DRUG	SPRUCE

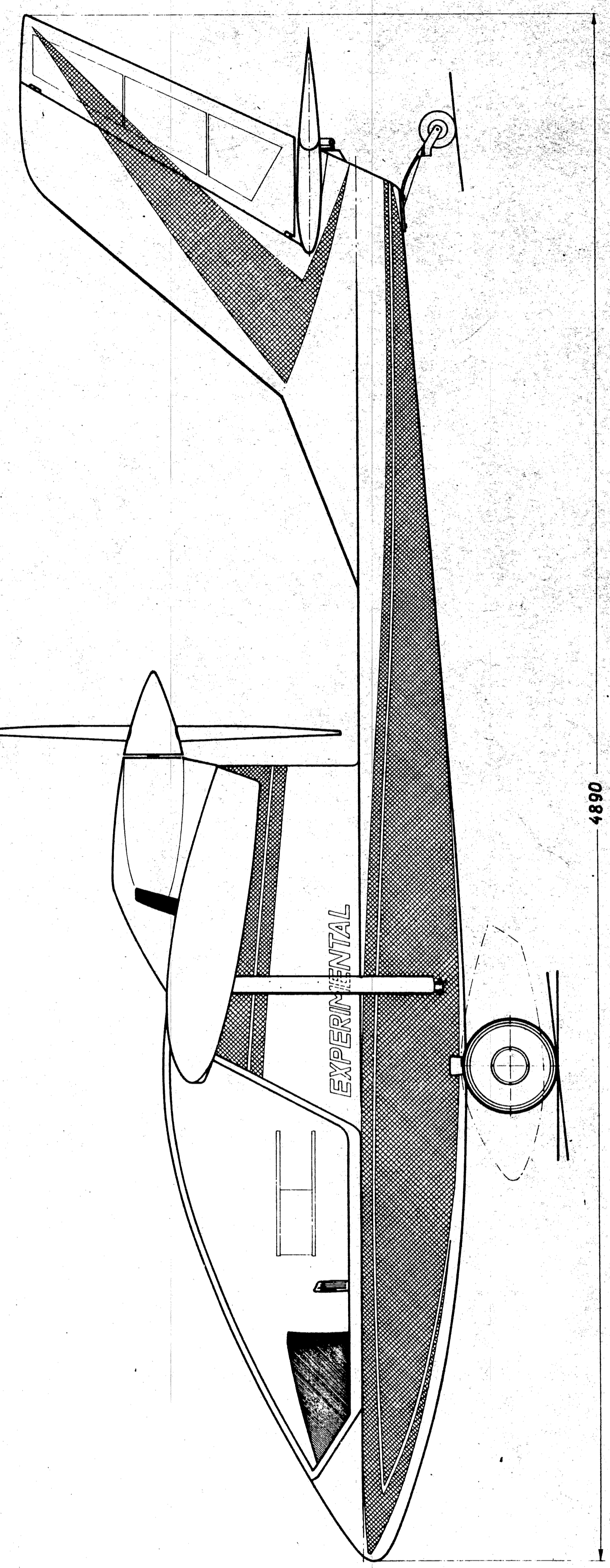
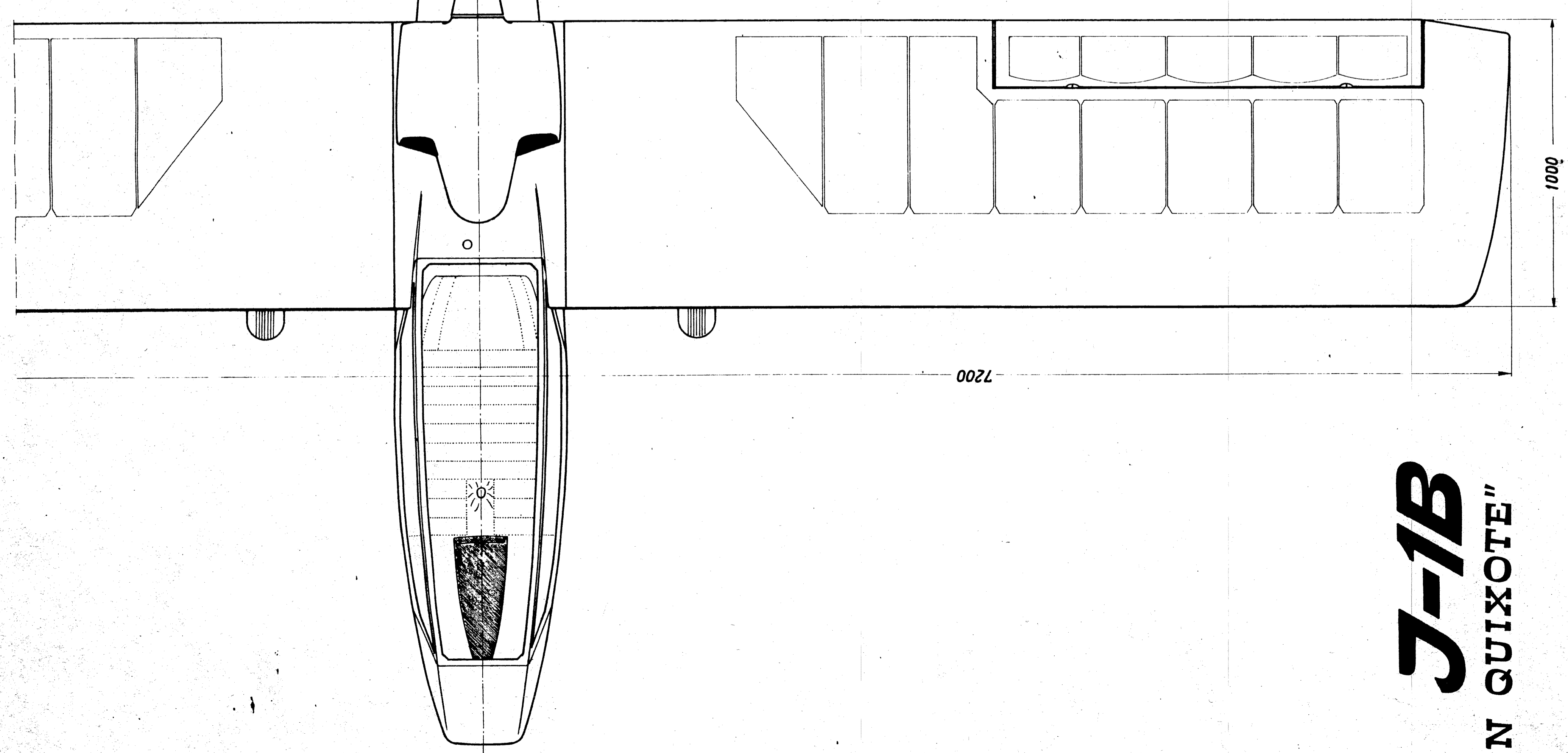
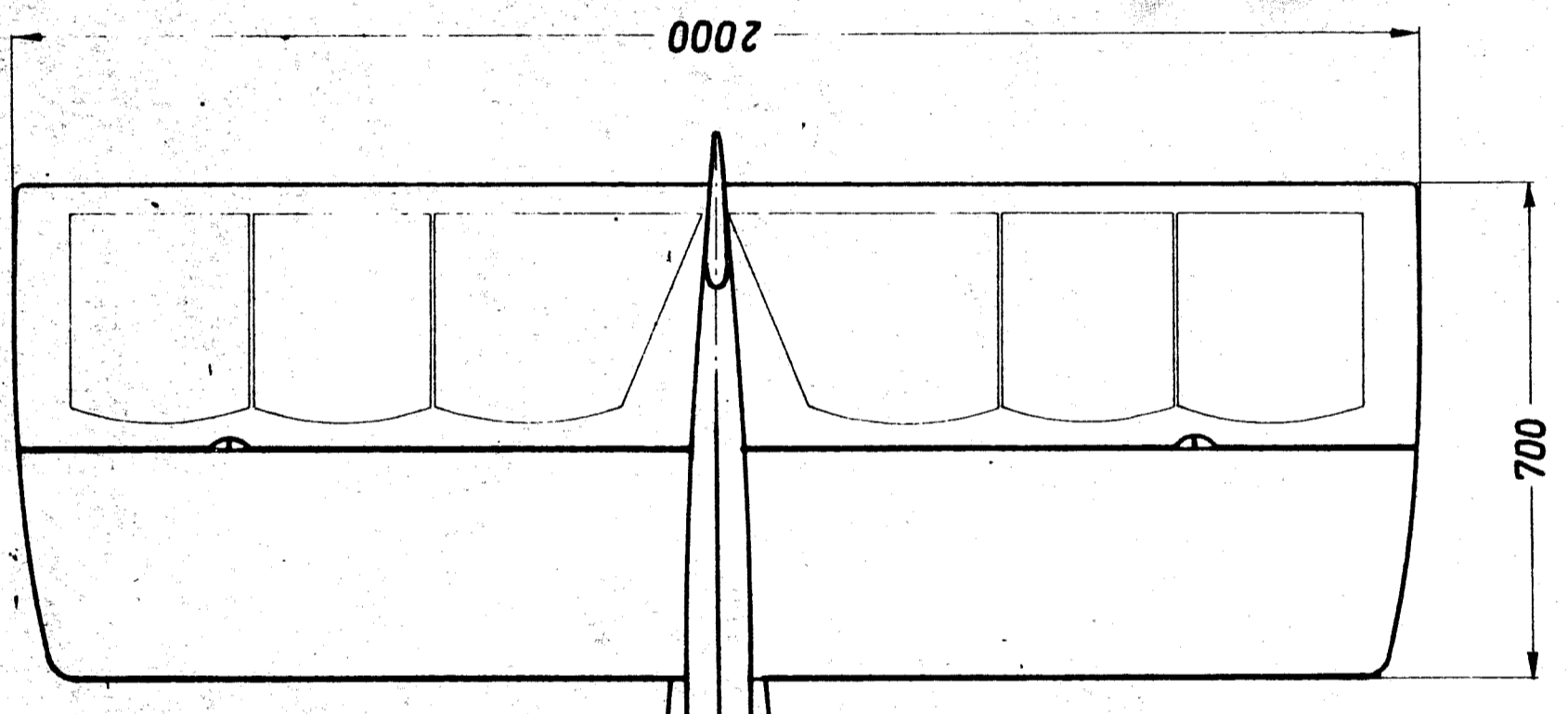
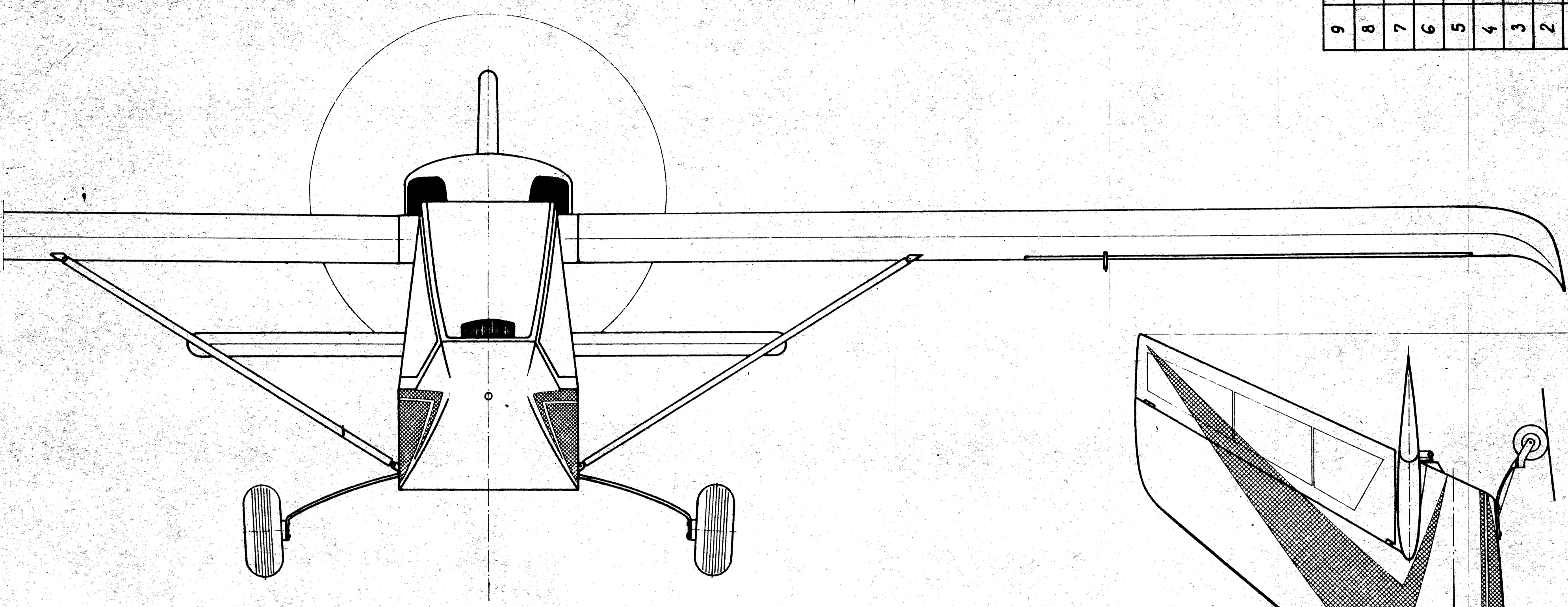
53	1	FUSELAGE TRAIL EDGE	CARVE	SPRUCE
52	2	WEB COVERING	1mm	PLYM.
51	2	REINFORCEMENT	12x50mm	SPRUCE

57	2	WEB STRIP	10x10mm	SPRUCE
56	2	RIB	6x6	SPRUCE
55	2	BLENDING	1/2mm	PLYM.
54	2	FUSELAGE COVER	2mm	PLYM.

64	1	FILLER	5x10mm	SPRUCE
63	1	RUDDER TRAIL EDGE	5x10mm	SPRUCE
62	1	VERT. STAB. LEAD EDGE	5x10mm	SPRUCE
61	1	ANCHORING RIB	20x15mm	SPRUCE
60	1	REINFORCEMENT	1/2mm	PLYM.
59	1	REINFORCEMENT	5x20mm	SPRUCE
58	1	REINFORCEMENT	5x10mm	SPRUCE

7	7	REINFORC. BLOCKS	20mm	SPRUCE
6	4	SHOULDER STRAP	9x13	NYLON
5	1	TOP FUSEL COVER	2mm	PLYM.
4	1	COMPOSITE STRIP	3x30	SPRUCE
3	2	LOCATION PEGS	8x88	SPRUCE
2	1	CABIN LOCK	8x19	SPRUCE
1	1	ITEM	100mm	MTL.

DESIGNED AND DRAWN BY
JAROSLAW JANOWSKI
SCALE 1:5
DRAWING NO. 2
DATE MAR 1977



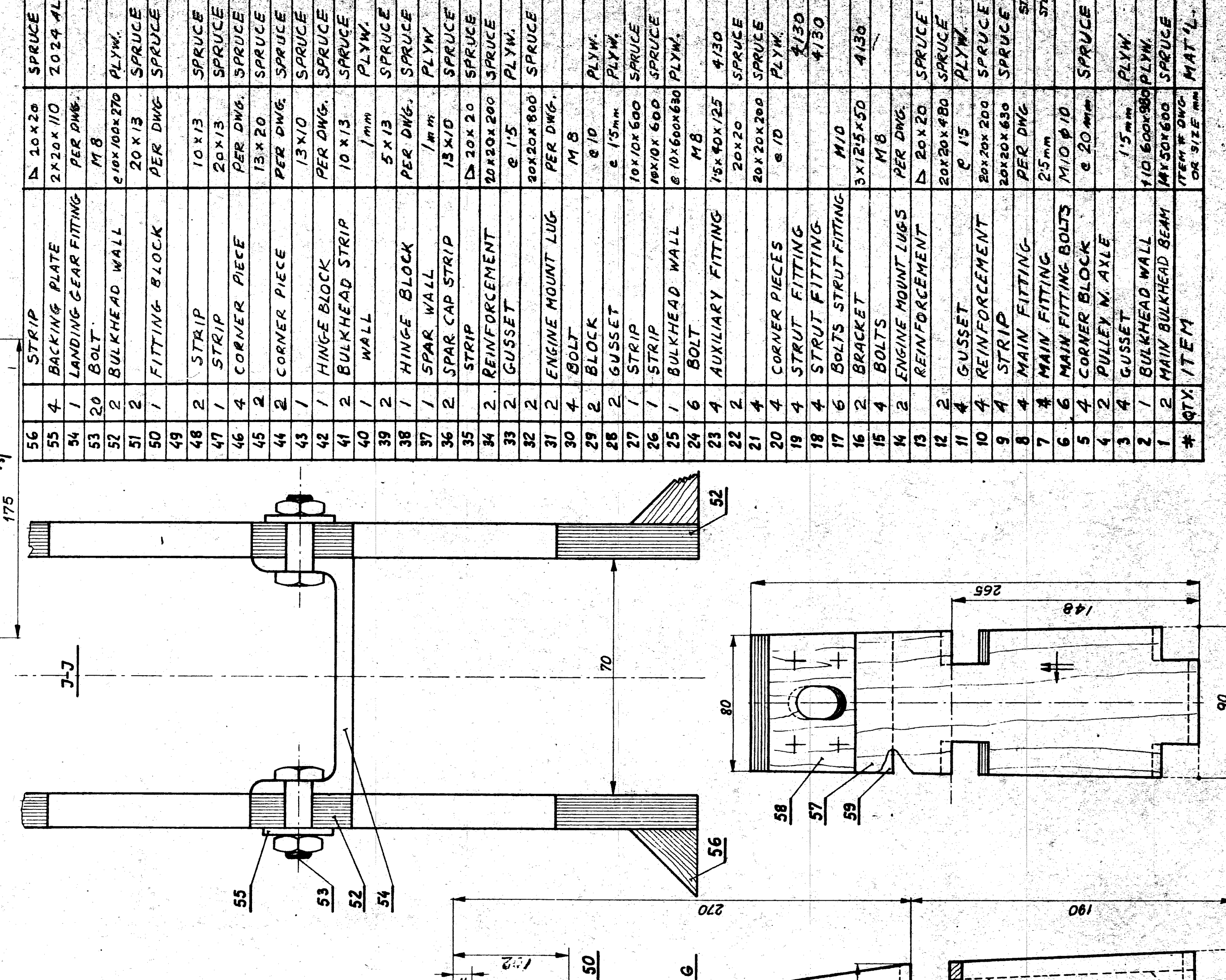
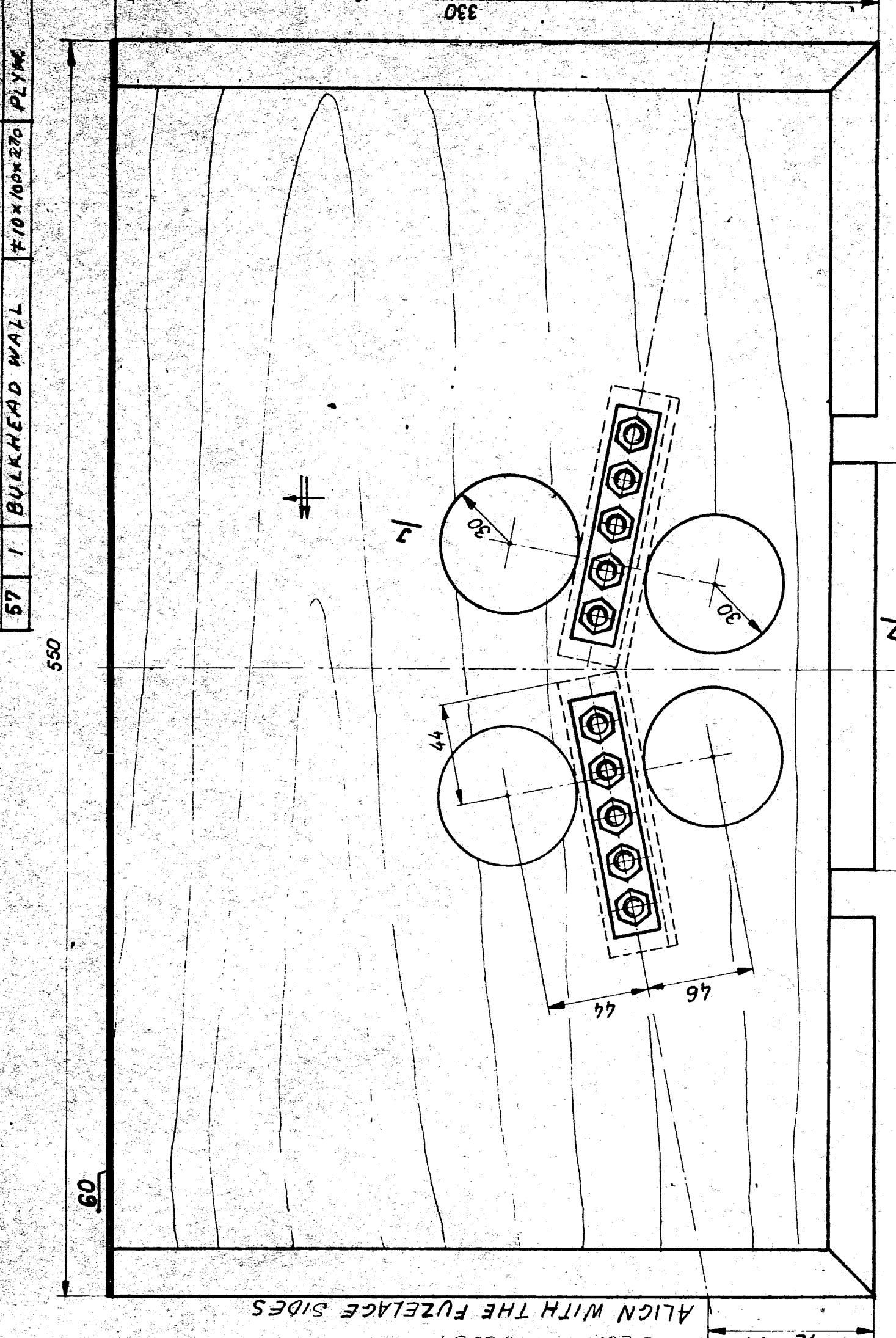
9	DETAILS 2
8	DETAILS 1
7	HORIZONTAL EMPANAGE
6	RIBS
5	WINGS
4	BULKHEADS
3	FUSELAGE ELEMENTS
2	FUSELAGE
1	THREE VIEWS
	DWG#
	DRAWING TITLE

DESIGNED AND DRAWN BY
JANOSKAI, JENŐPÉTER
SCALE 1:10
DRAWING NO. 1
DATE MAR 19 77
THREE VIEWS

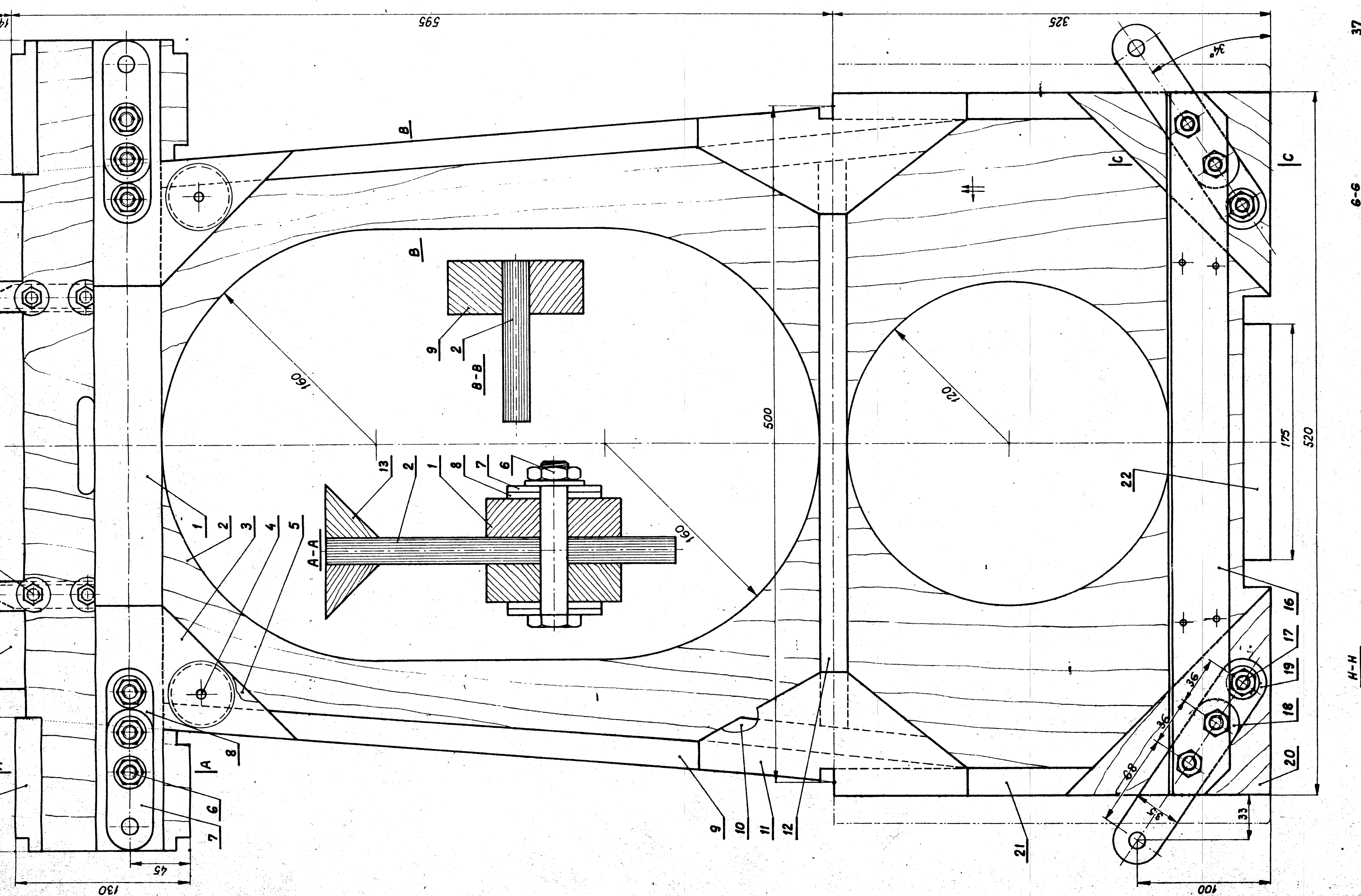
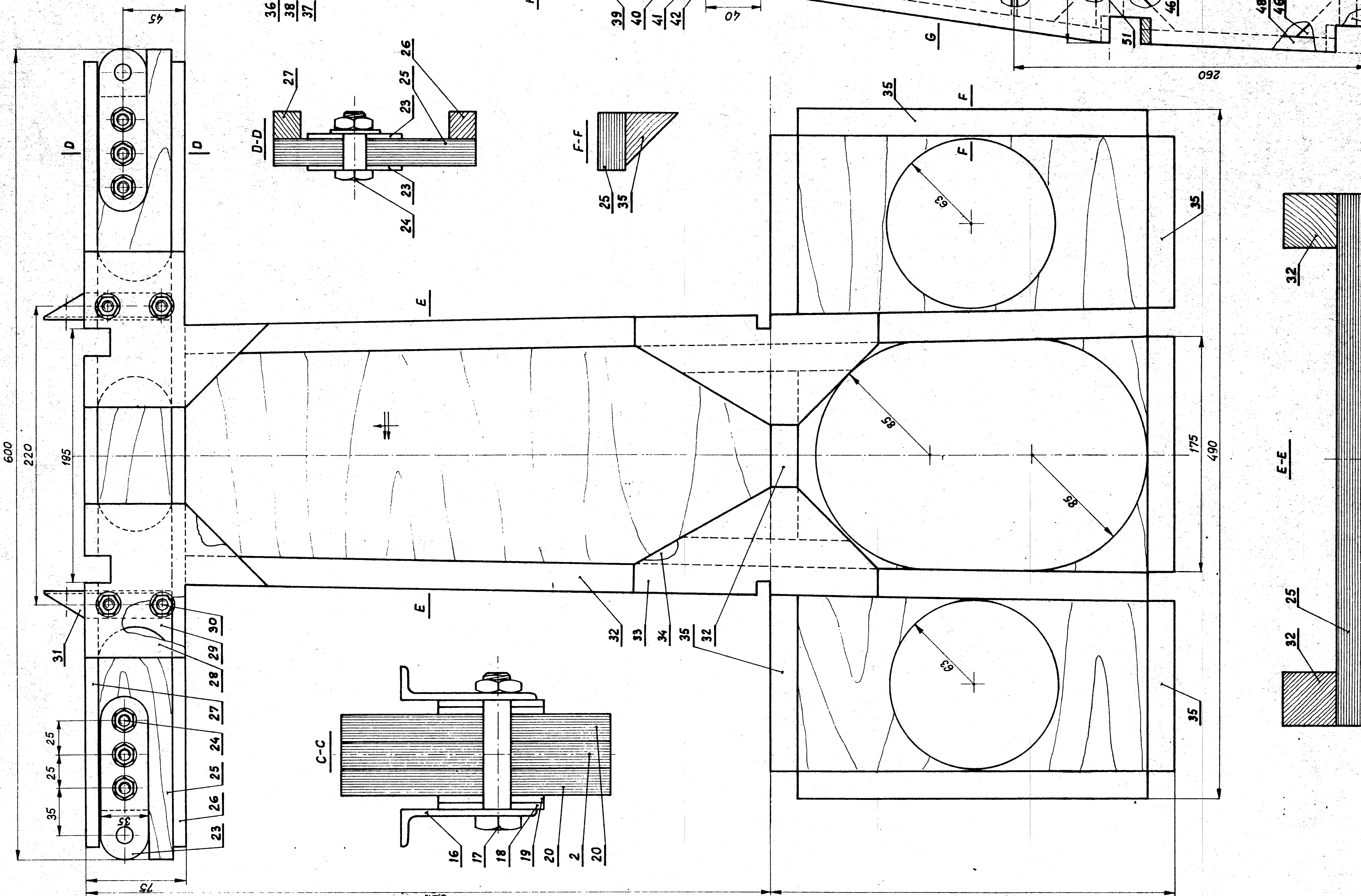
J-1B

"DON QUIXOTE"

J-1B



60	1	CLOSING PLATE	2x20x1/10	PER DWG.
59	1	GUSSET		PER DWG.
58	1	GUSSET		PER DWG.



DESIGNED AND DRAWN BY
PROGRAM MANAGER
SCALE 1:2, 1/4"
BULKHEADS
DATE MAR 13, 37