



website: <http://biz.LGservice.com>  
e-mail: <http://www.LGService.com/techsup.html>

# TELEVISOR A COLORES

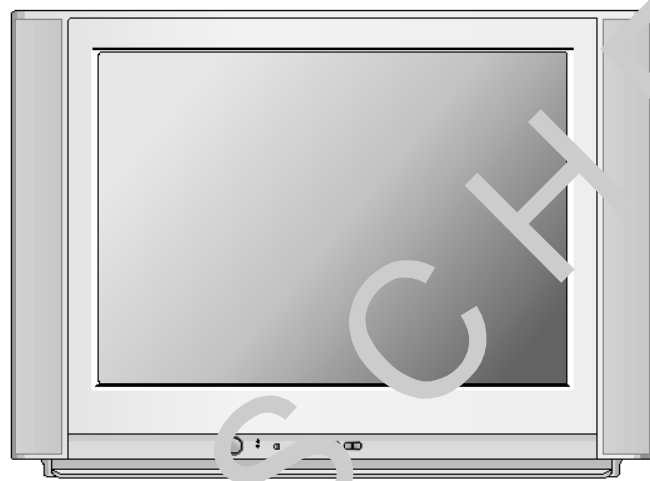
## MANUAL DE SERVICIO

CHASIS : MC-049A

MODELO : RP-29CC26

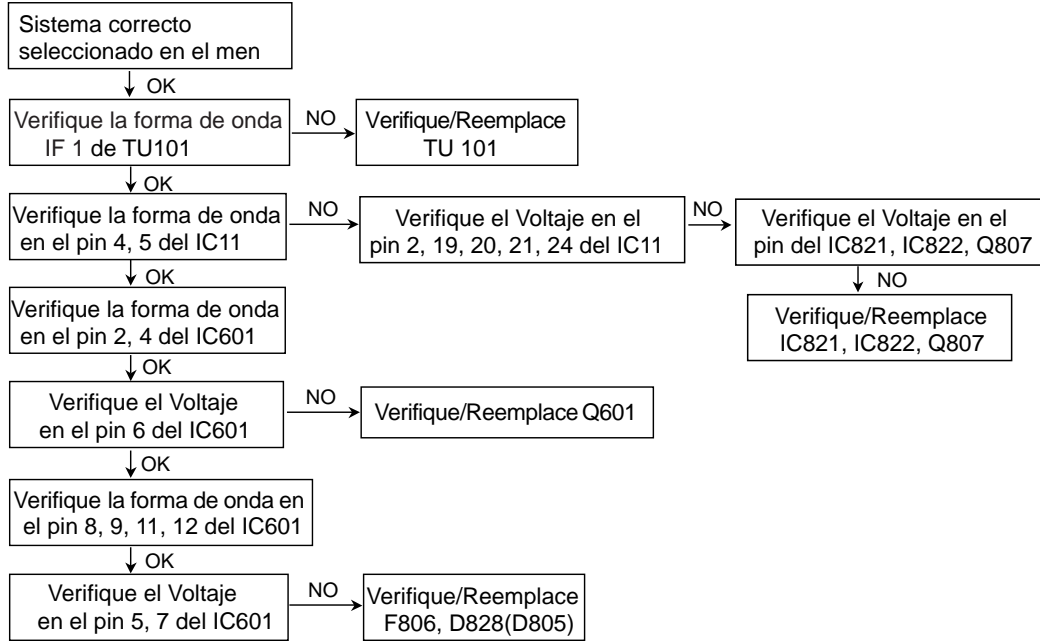
### ATENCIÓN

Antes de dar servicio al chasis, lea las PRECAUCIONES DE SEGURIDAD en este manual.

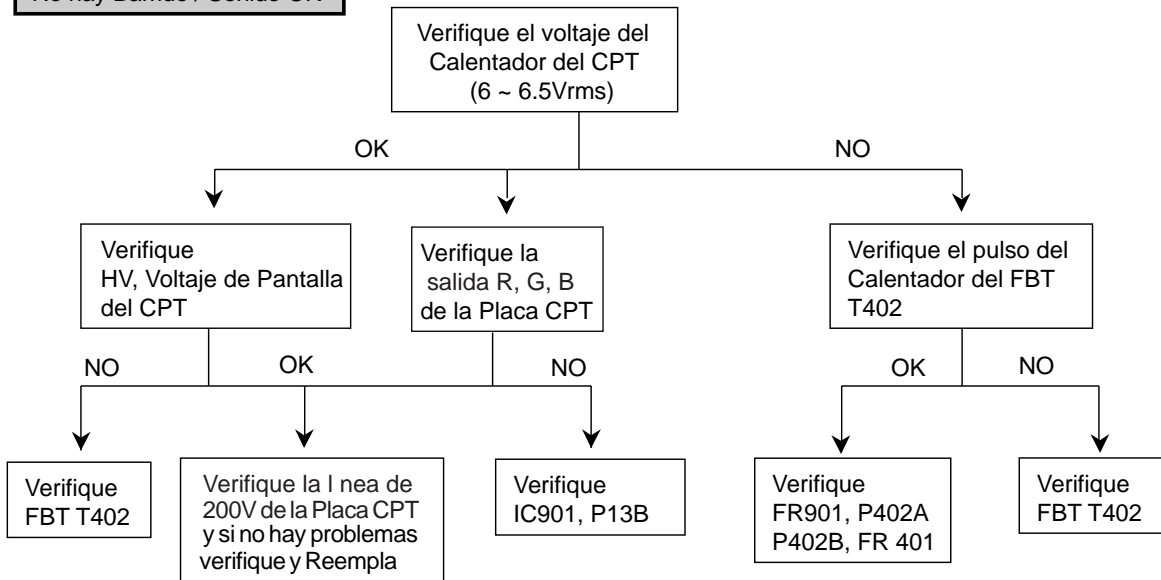


# BÚSQUEDA DE FALLAS

EST REO RF

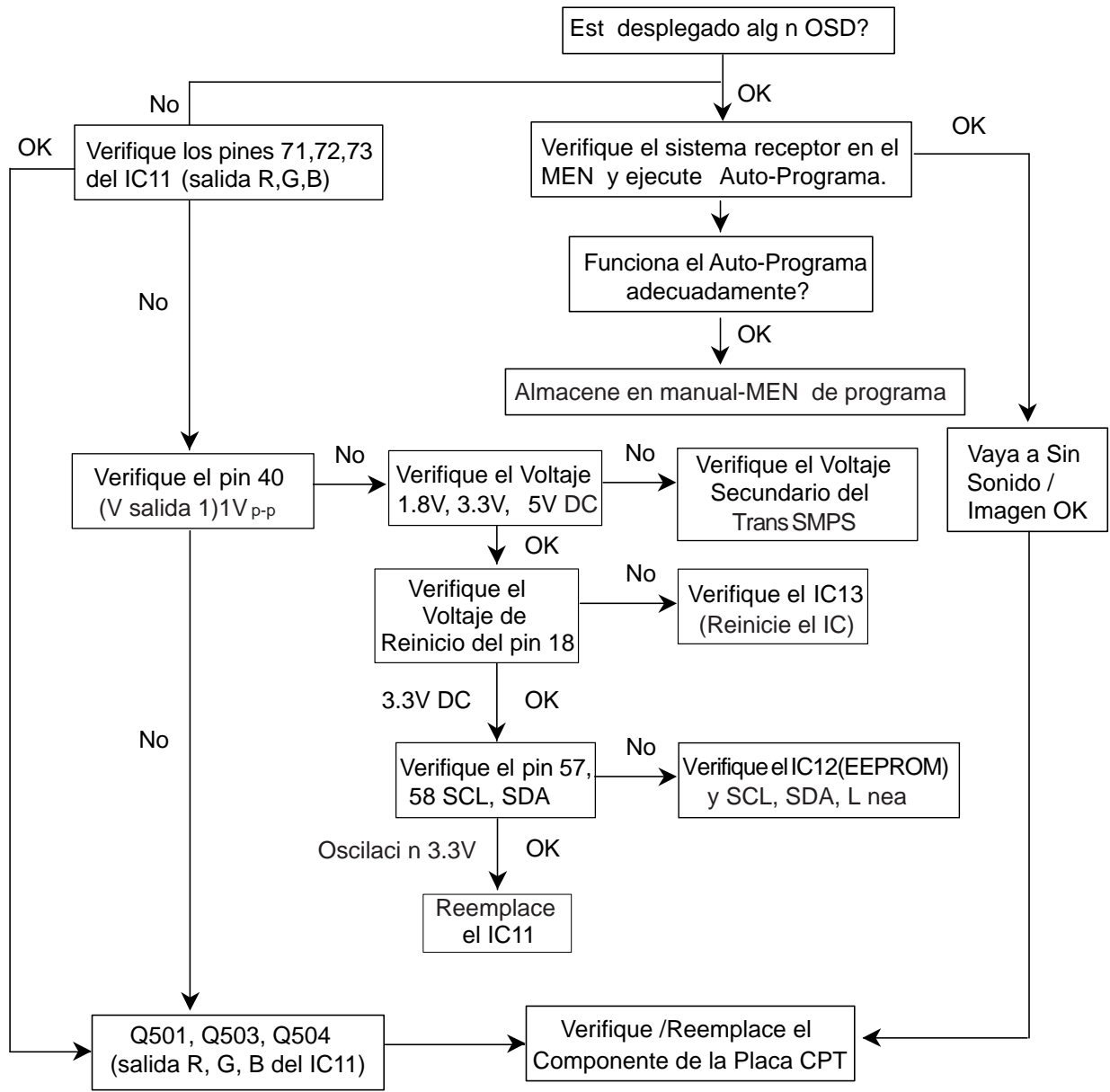


No hay Barrido / Sonido OK

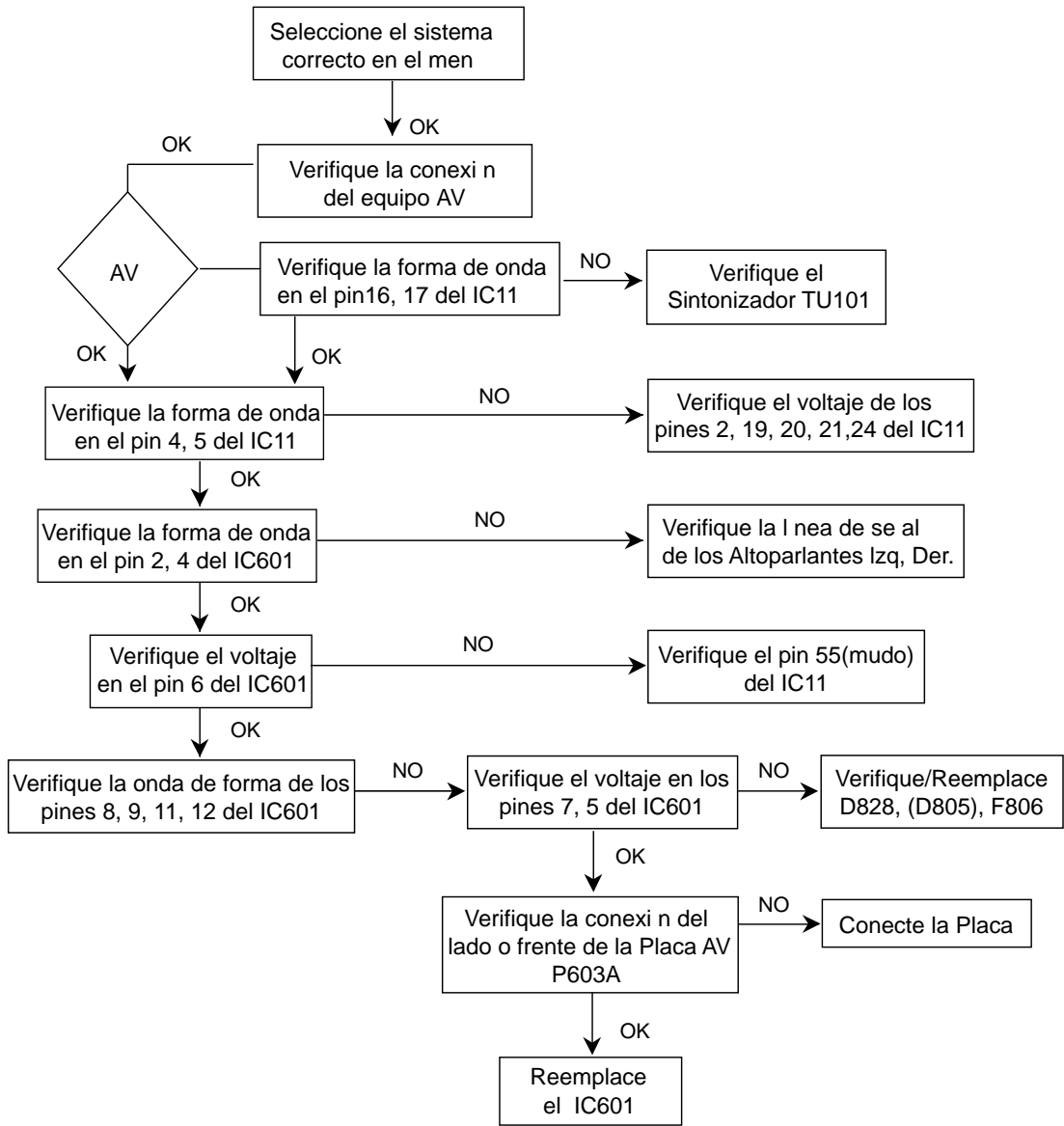


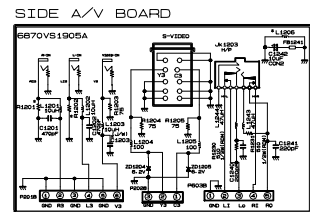


Sin Imagen / Sin Sonido

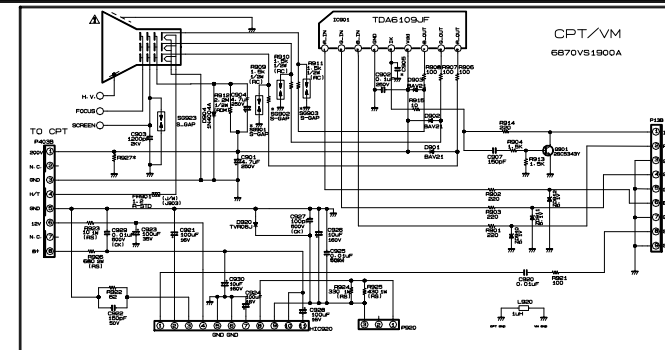
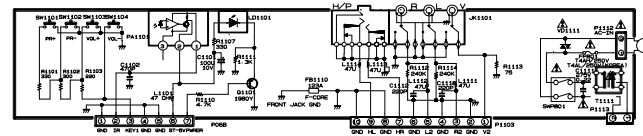


Est reo AV





<Q20 CONTROL PWB ASSY>



**NOTICE**

Since this is a test circuit diagram, the value of components are not intended for replacement without notice.

The component values are subject to 10% or 20% tolerances and are essential for the operation of the TV receiver.

Use specified parts only when replacement.

**Value of resistor, capacitor and inductor**

1. Resistances are shown in ohms, 1K, 10K, and 100K. All resistor values less than 1 are expressed in ohms and the values more than 1 in K.

2. All inductances are shown using a wire gauge designation and a size designation.

3. All capacitors are shown using a value, tolerance and a size designation.

4. Check PWB TYPING AND CONTAINERS, DIMENSIONS AND COLOR MARKING FOR EACH PART. MAKE SURE THAT COLOR AND DIMENSIONS ARE IN EACH PART AND CORRECT IN THE PART LIST AND CORRECT IN THE PART LIST AND CORRECT IN THE PART LIST.

5. Waveforms are taken using a standard color signal.

**Observation of voltages and waveforms**

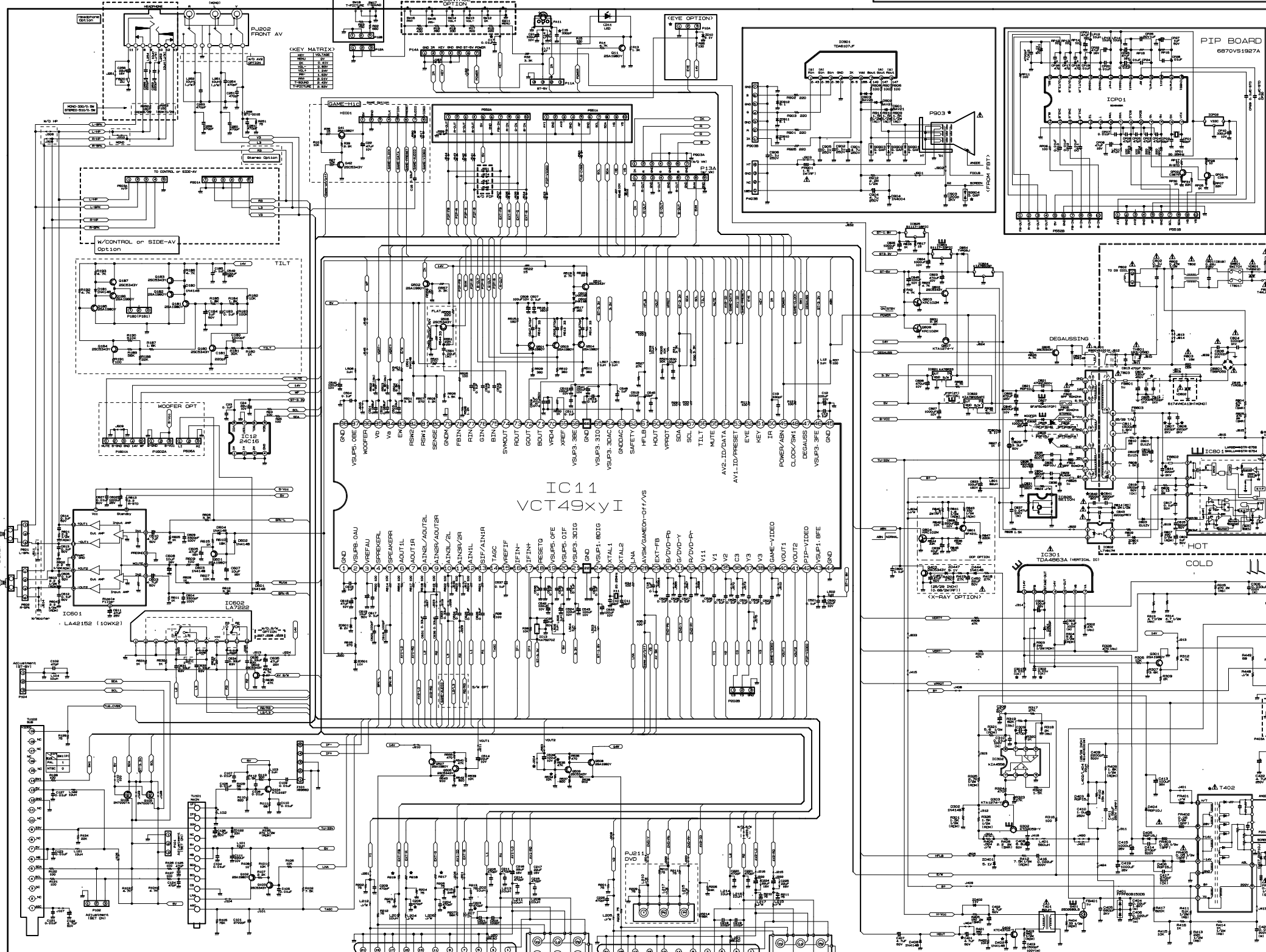
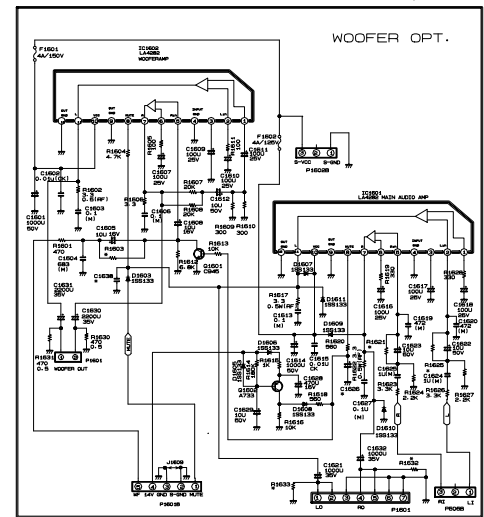
1. Voltages read with VTM from source to source ground. Line voltage is 200V/240V. All voltages are indicated in relation to the common reference point.

2. The waveforms shown in this manual are taken using a wire gauge designation and a size designation.

3. All waveforms are taken using a standard color signal.

4. Check PWB TYPING AND CONTAINERS, DIMENSIONS AND COLOR MARKING FOR EACH PART. MAKE SURE THAT COLOR AND DIMENSIONS ARE IN EACH PART AND CORRECT IN THE PART LIST AND CORRECT IN THE PART LIST.

5. Waveforms are taken using a standard color signal.



<VCT1 VERSION>

VERSION	SPEC
VCT4973	PAL, RF-ST, W/TXT
VCT4973	PAL, AV-ST, W/TXT
VCT4964	PAL, AV-ST, W/O TXT
VCT4963	PAL, RF-ST, W/O TXT
VCT4821	NTSC, MONO
VCT4842	NTSC, RF-ST