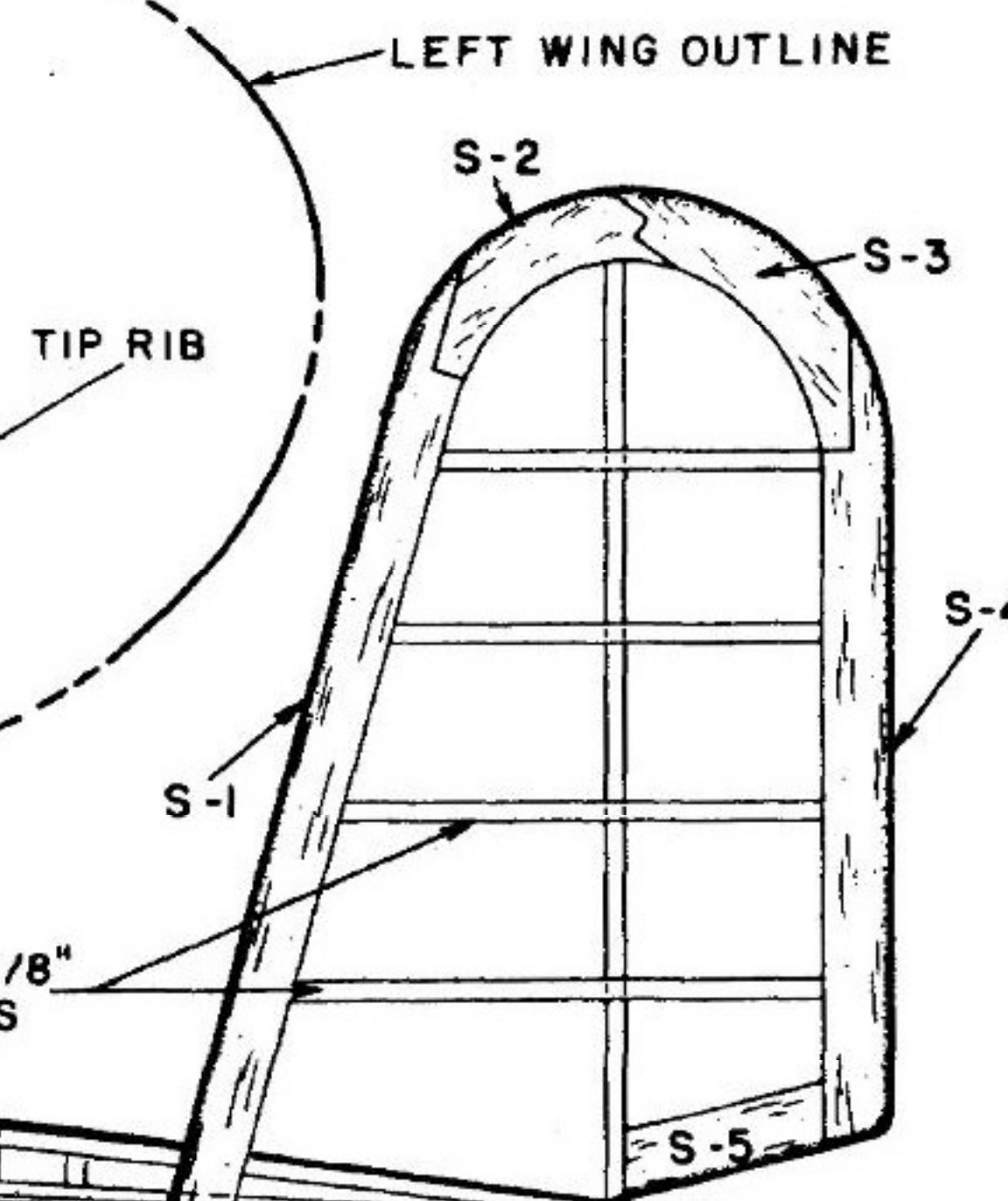
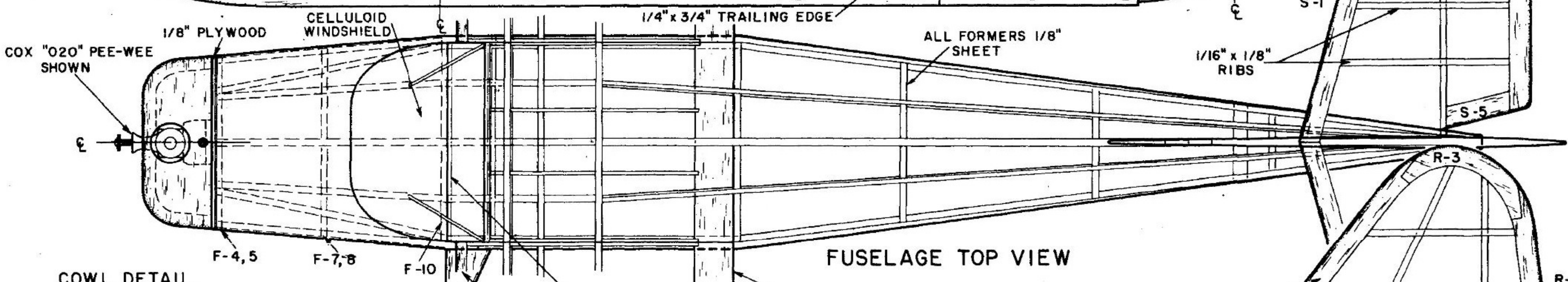


WING PLAN

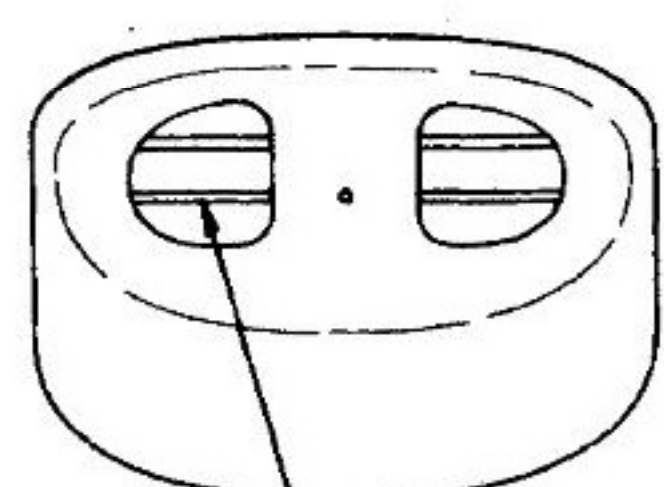


LEFT WING OUTLINE



FUSELAGE TOP VIEW

COWL DETAIL



1/16" SHEET FOR GRILL EFFECT

USE HARD Balsa BLOCK FOR SPINNER

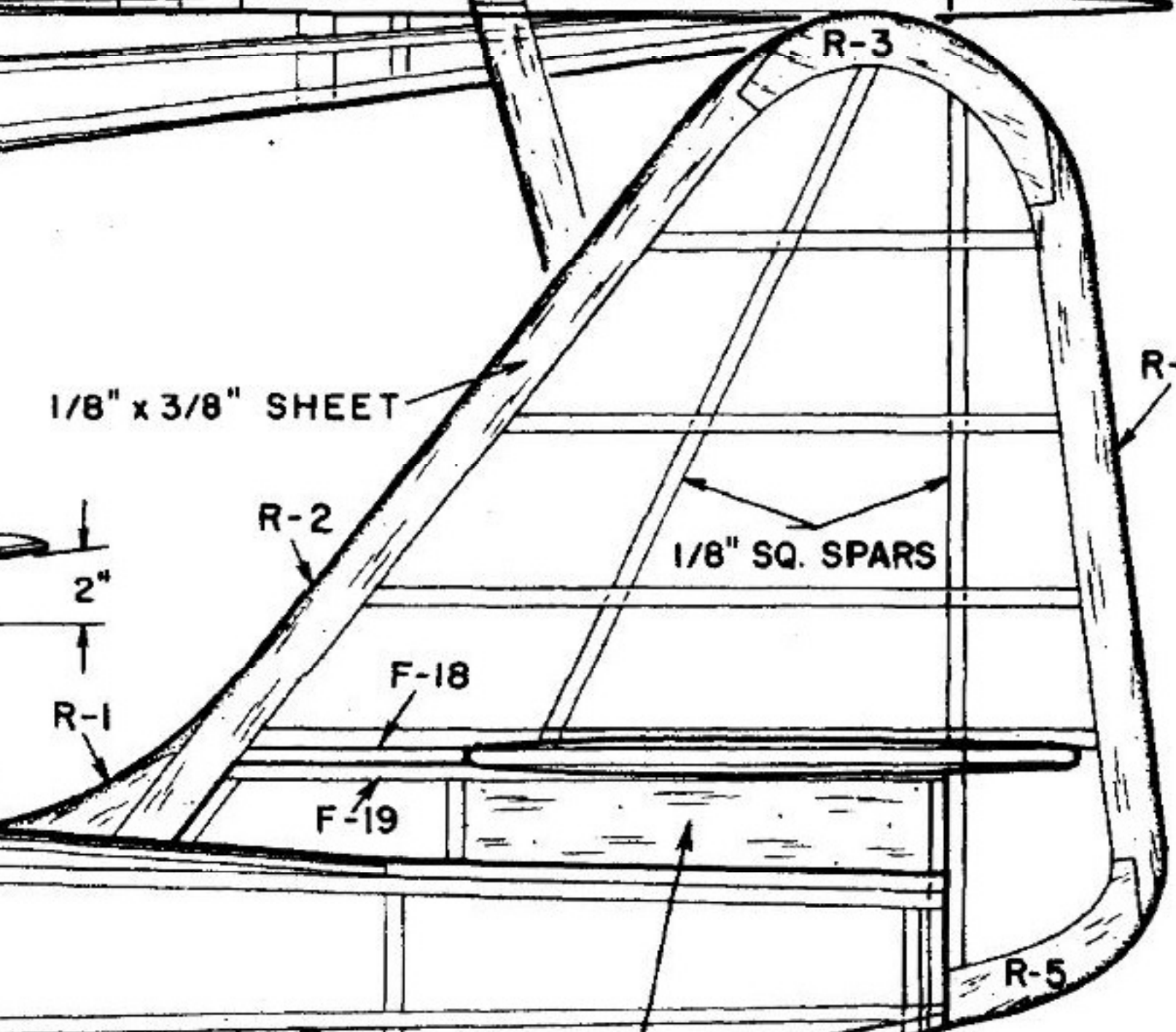
RUBBER-POWERED INSTALLATION SHOWN

RECOMMEND 9" TO 10" DIAM. PAULOWNIA OR PLASTIC RUBBER-POWERED PROPELLER.

R.M.



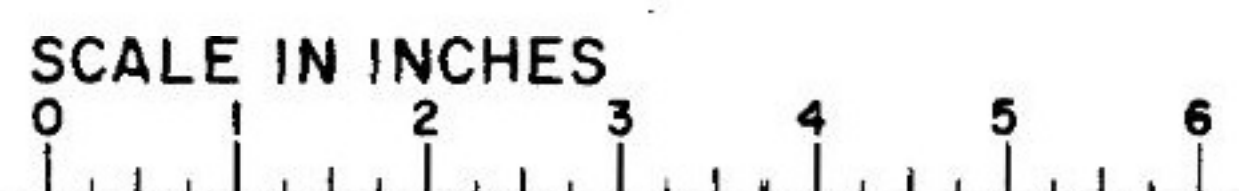
DIHEDRAL SKETCH



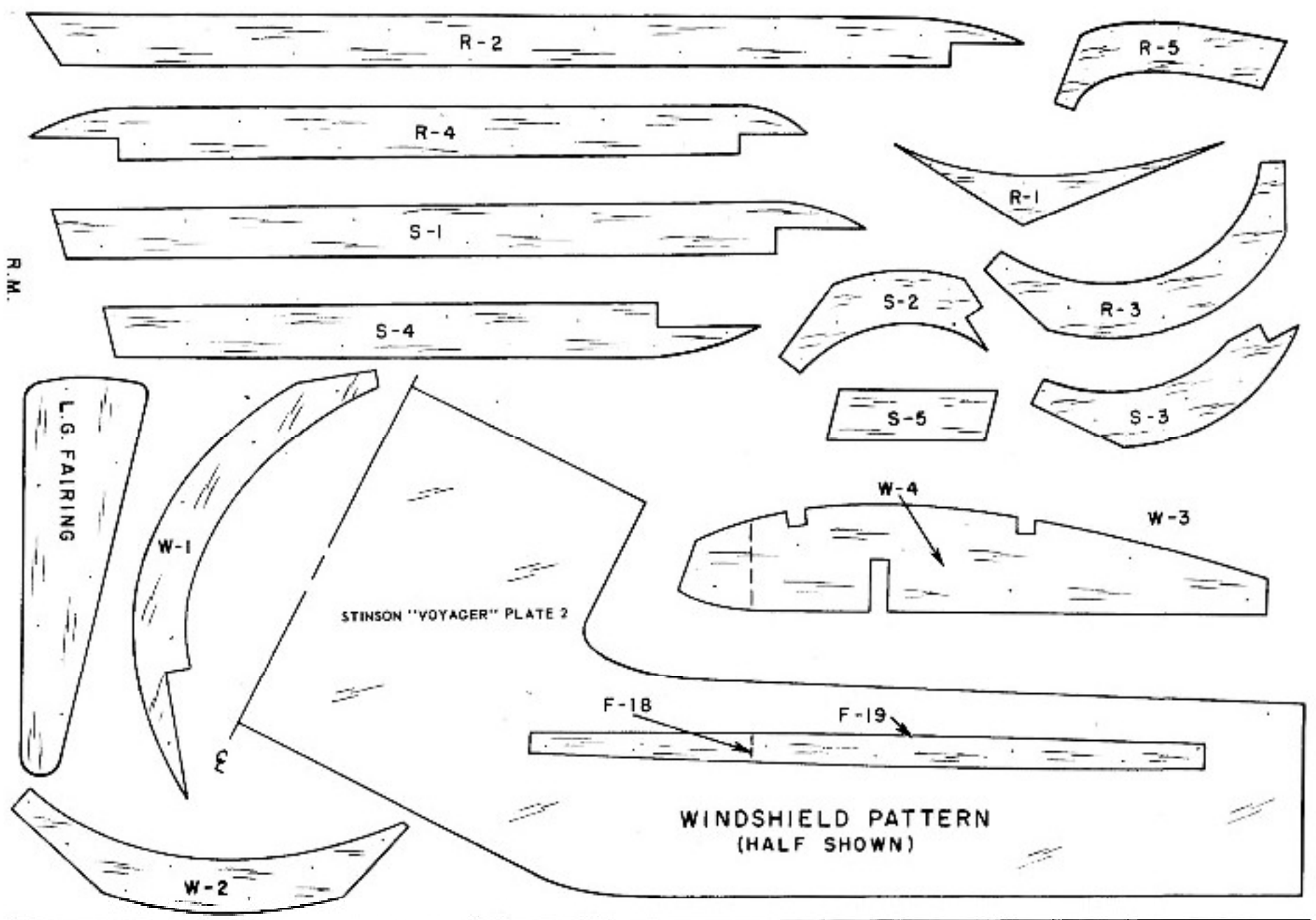
FUSELAGE SIDE VIEW

STIMSON "VOYAGER"

POWER: SIX TO EIGHT STRANDS OF 1/4" FLAT PIRELLI, 20" LONG.



SCALE IN INCHES



R.M.

R-2

R-5

R-4

R-1

S-1

S-2

R-3

S-4

S-5

S-3

L.G. FAIRING

W-1

W-4

W-3

STINSON "VOYAGER" PLATE 2

F-18

F-19

W-2

WINDSHIELD PATTERN  
(HALF SHOWN)

