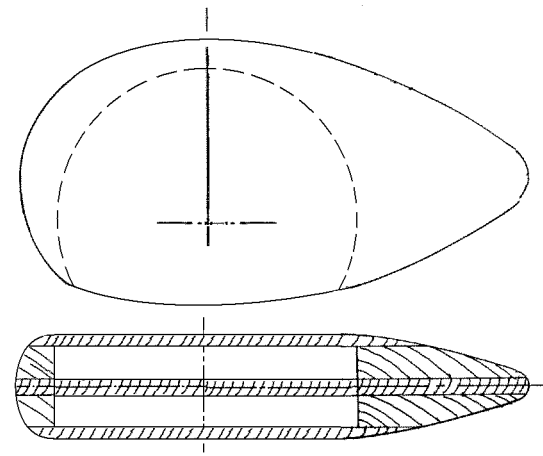


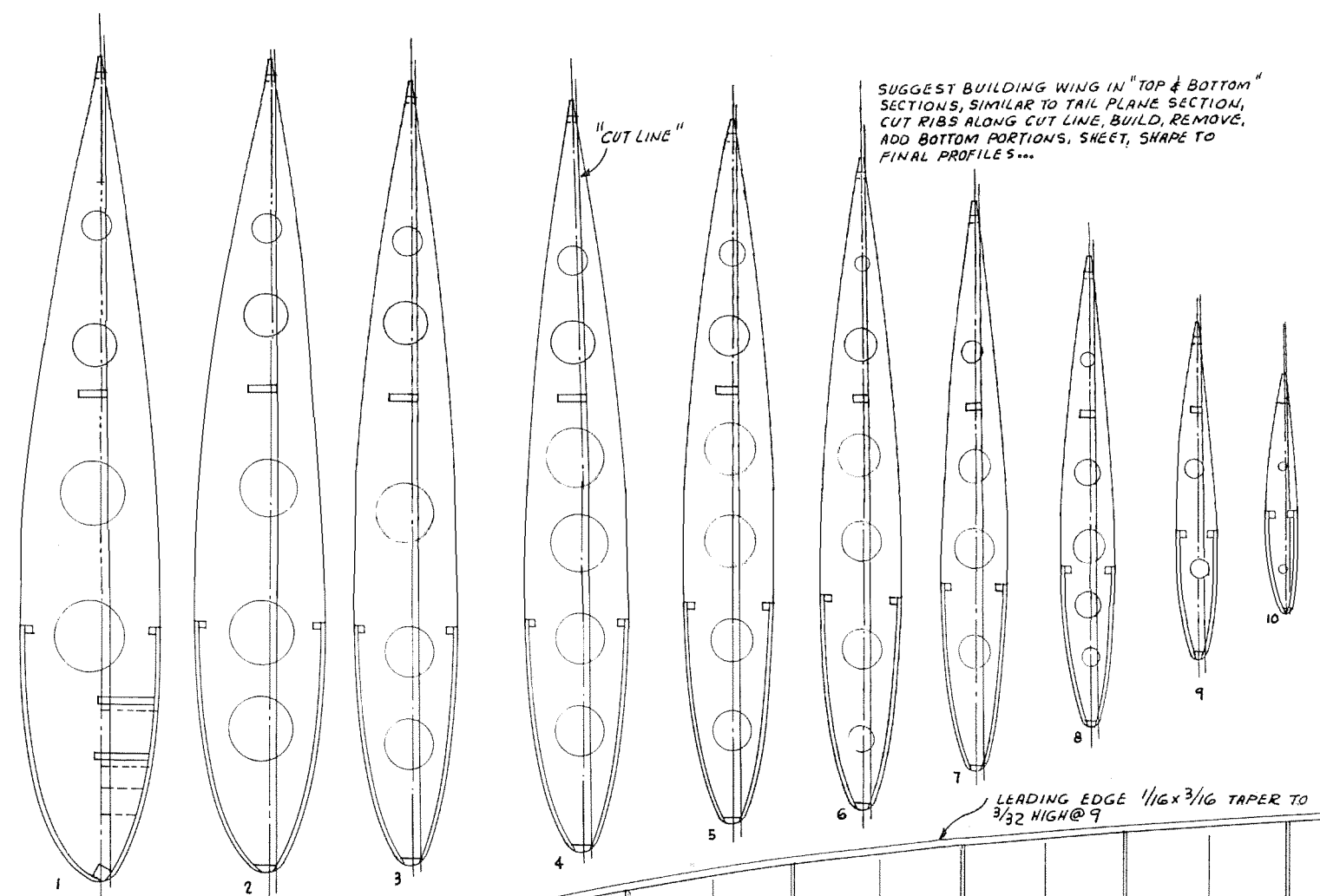
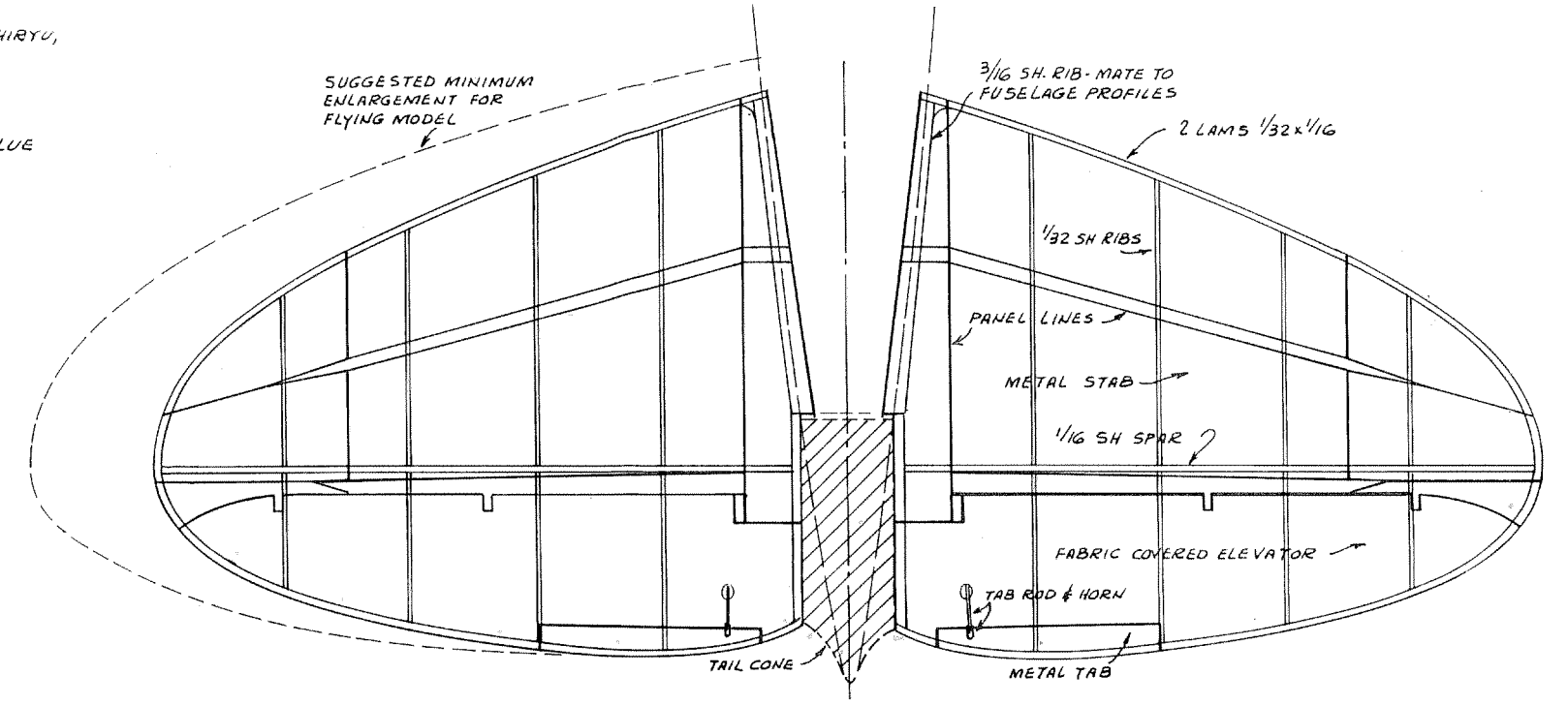
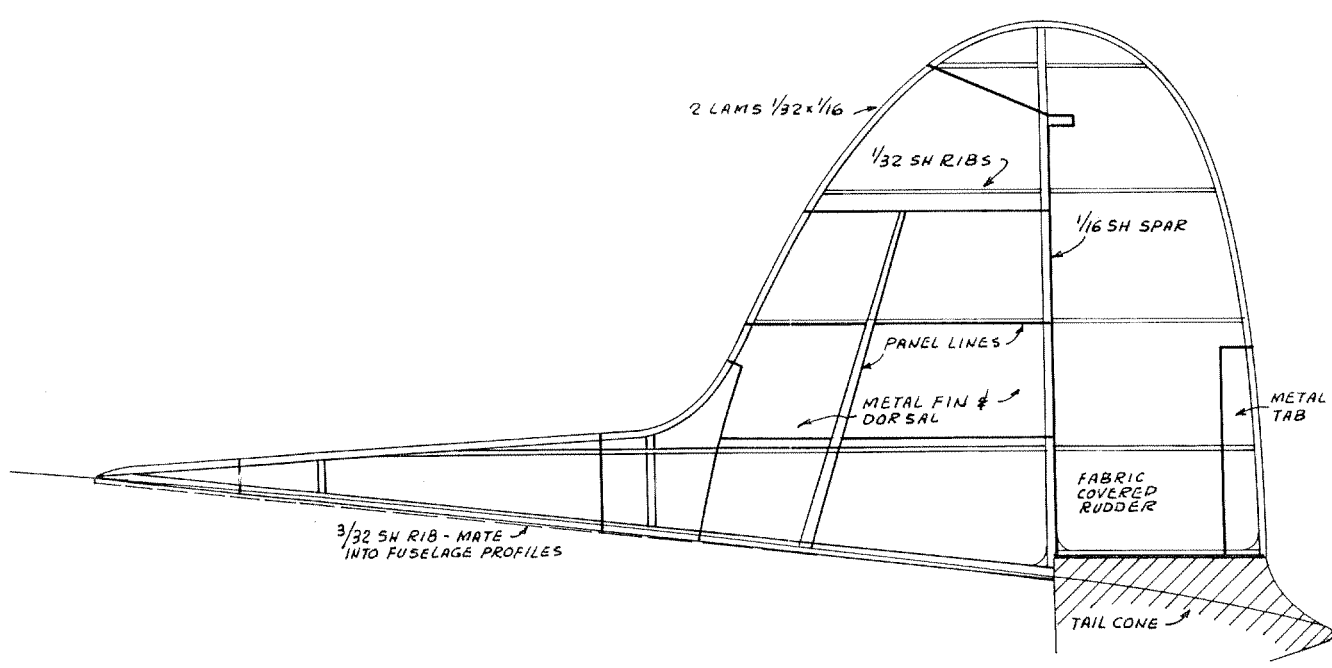
1 DOUBLER

1/16" TO 1/8" LINES

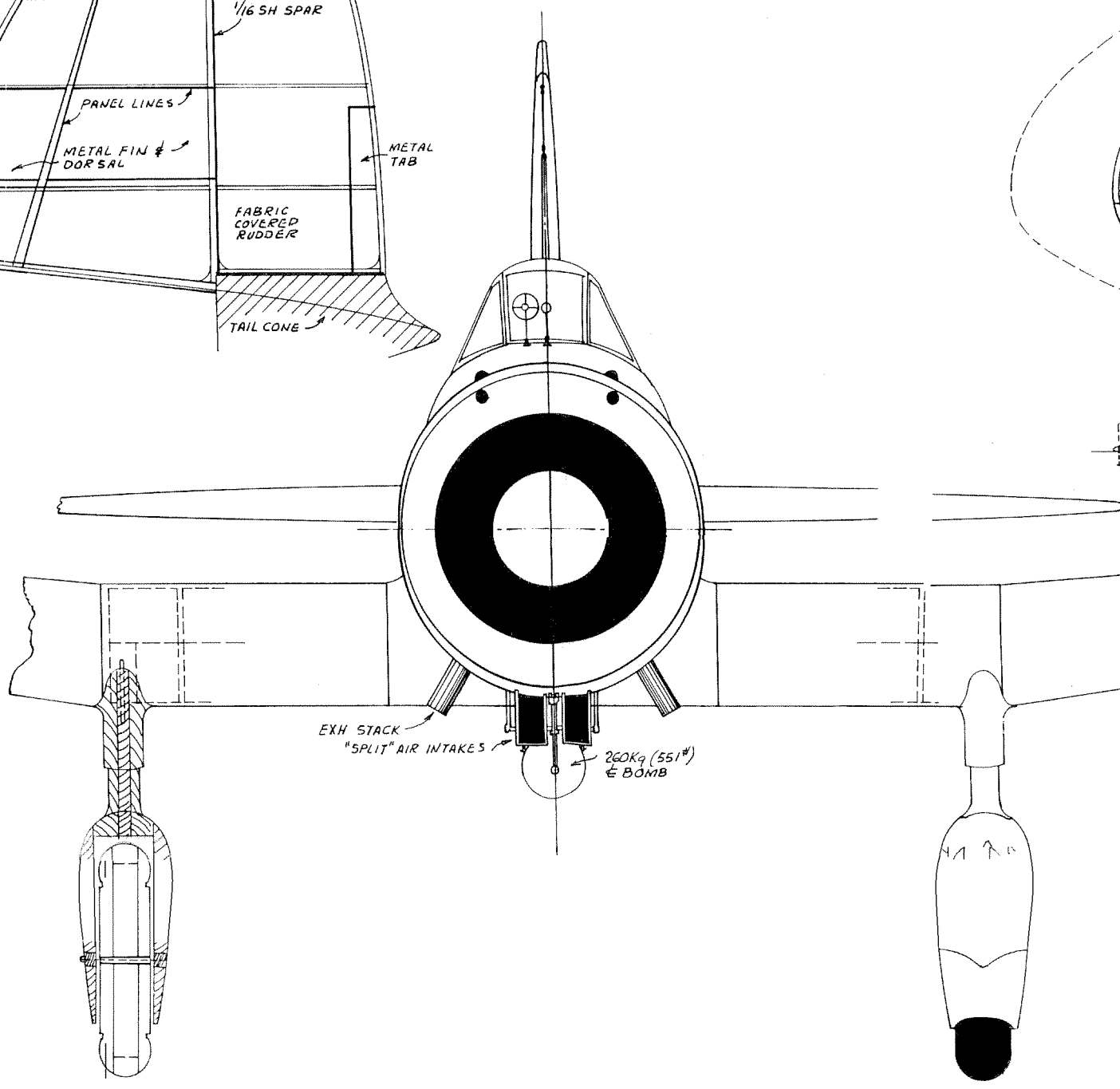


AIRCRAFT DEPICTED, IMP. NAVY AIR FORCE, BASED UP, DEC. 7, 1941, PEARL HARBOR 1
OVERALL - SKY GREY
COWL/NOSE - MATT BLACK
HINGERS, TAIL NOS - RED
FUSE & WHEEL COVER STRIPES
METAL INSIDES - BLuish ALUM
OTHER AS SHOWN

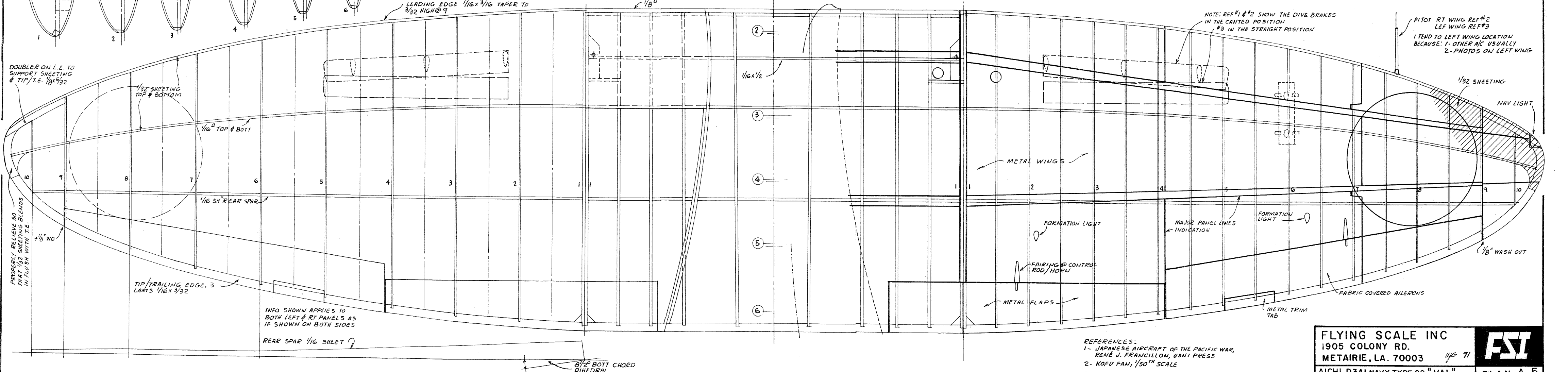
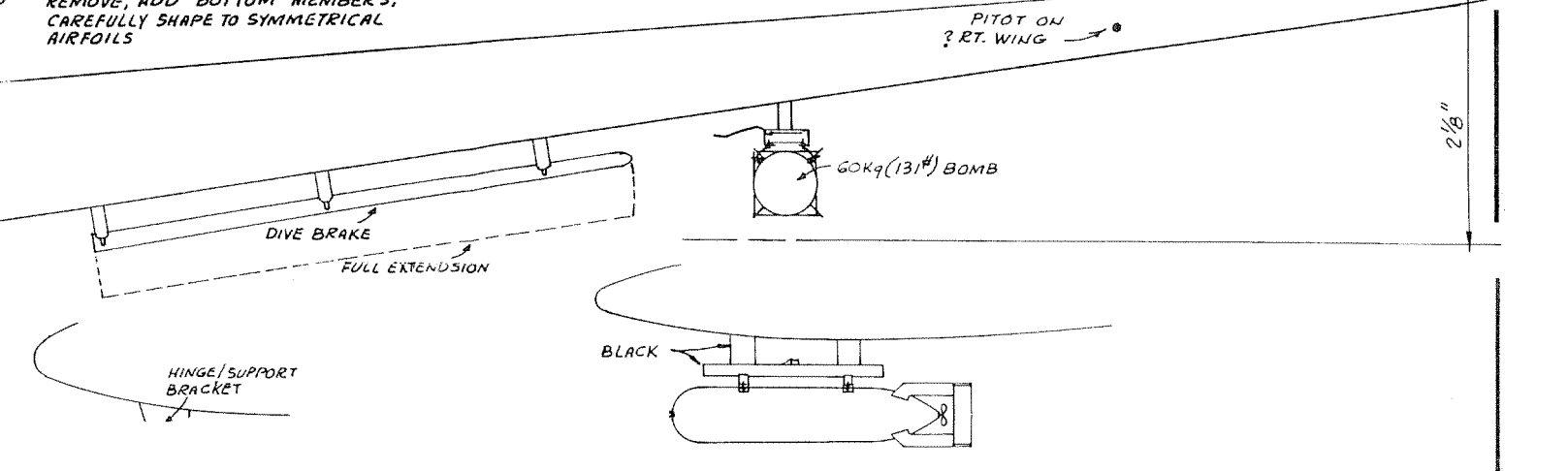
SR HIRYU,
LT BLUE



SUGGEST BUILDING WING IN "TOP & BOTTOM" SECTIONS, SIMILAR TO TAIL PLANE SECTION, CUT RIBS ALONG CUT LINE, BUILD, REMOVE, ADD BOTTOM PORTIONS, SHEET, SHAPE TO FINAL PROFILE ETC...



TYPICAL SECTION TRAILPLANE'S
BUILD "TOP" PORTION FLAT ON BOARD,
REMOVE, ADD "BOTTOM" MEMBERS,
CAREFULLY SHAPE TO SYMMETRICAL
AIRFOILS



DOUBLER ON L.E. TO SUPPORT SHEETING # TIP/T.E. 1/8" x 3/32

PROPERLY RELIEVE SO THAT 1/32 SHEETING BLENDS IN FLUSH WITH T.E.

INFO SHOWN APPLIES TO BOTH LEFT & RT PANELS AS IF SHOWN ON BOTH SIDES

REAR SPAR 1/16 SHEET

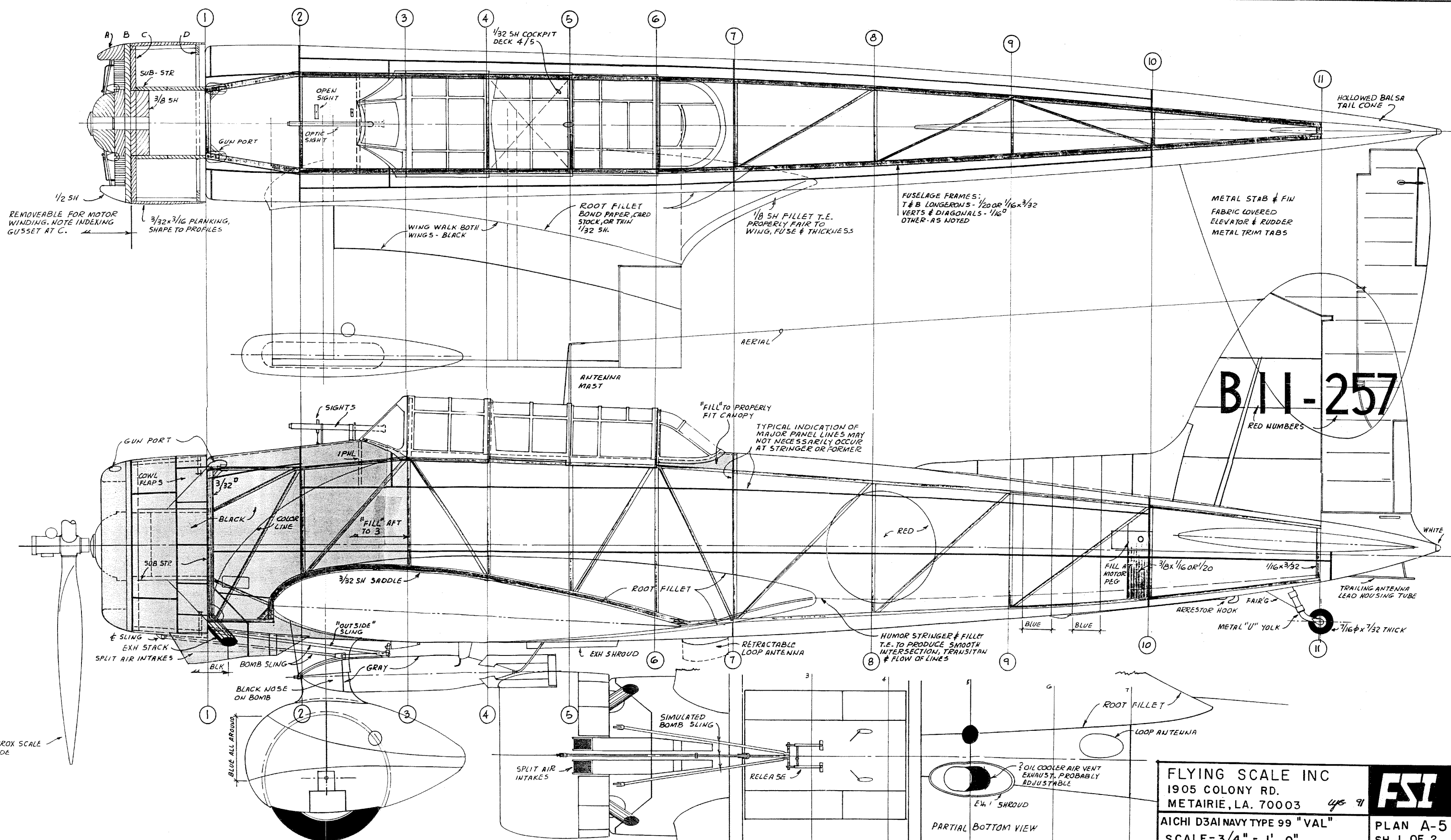
3/16" BOTT CHORD DIHEDRAL

REFERENCES:
1 - JAPANESE AIRCRAFT OF THE PACIFIC WAR, RENÉ J. FRANÇILLON, USNI PRESS
2 - KOFU FAN, 1/50TH SCALE
3 - AIRCRAFT PROFILE 241, RICHARDS & SMITH, PRYFLE PUB. LTD., COBURG HOUSE, SHEPHERD WINDYBARD

FLYING SCALE INC
1905 COLONY RD.
METAIRIE, LA. 70003

AICHI D3AI NAVY TYPE 99 "VAL"
SCALE - 3/4" = 1'-0"

PLAN A-5
SH 2 OF 2



FLYING SCALE INC
 1905 COLONY RD.
 METAIRIE, LA. 70003 48 91
 AICHI D3AI NAVY TYPE 99 "VAL"
 SCALE - $\frac{3}{4}$ " = 1' - 0"
 PLAN A-5
 SH 1 OF 2