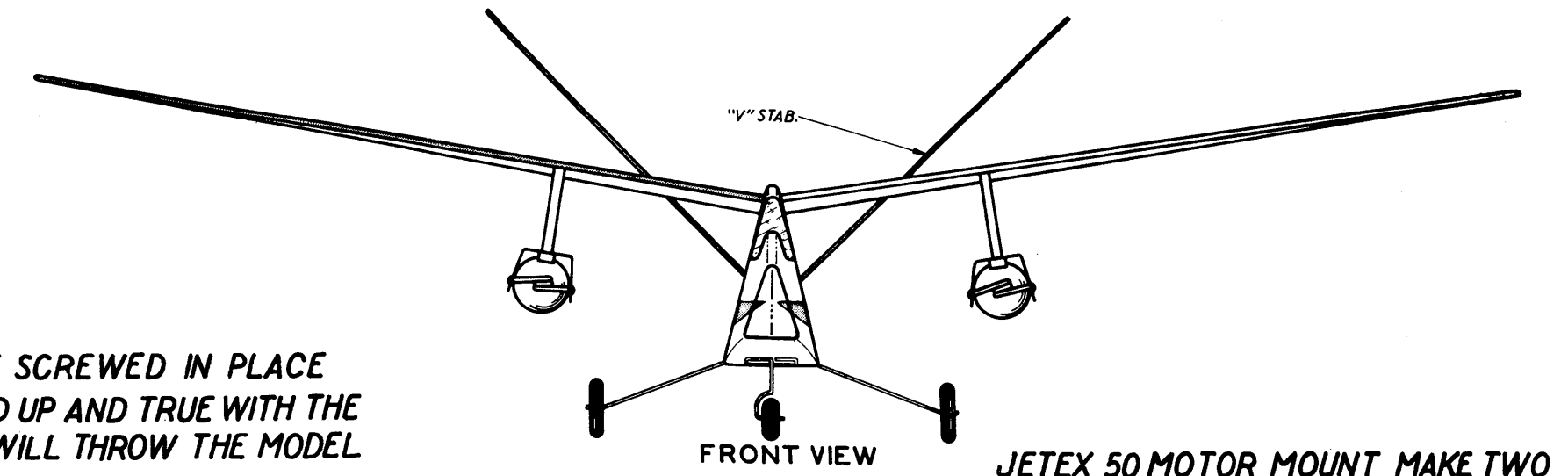
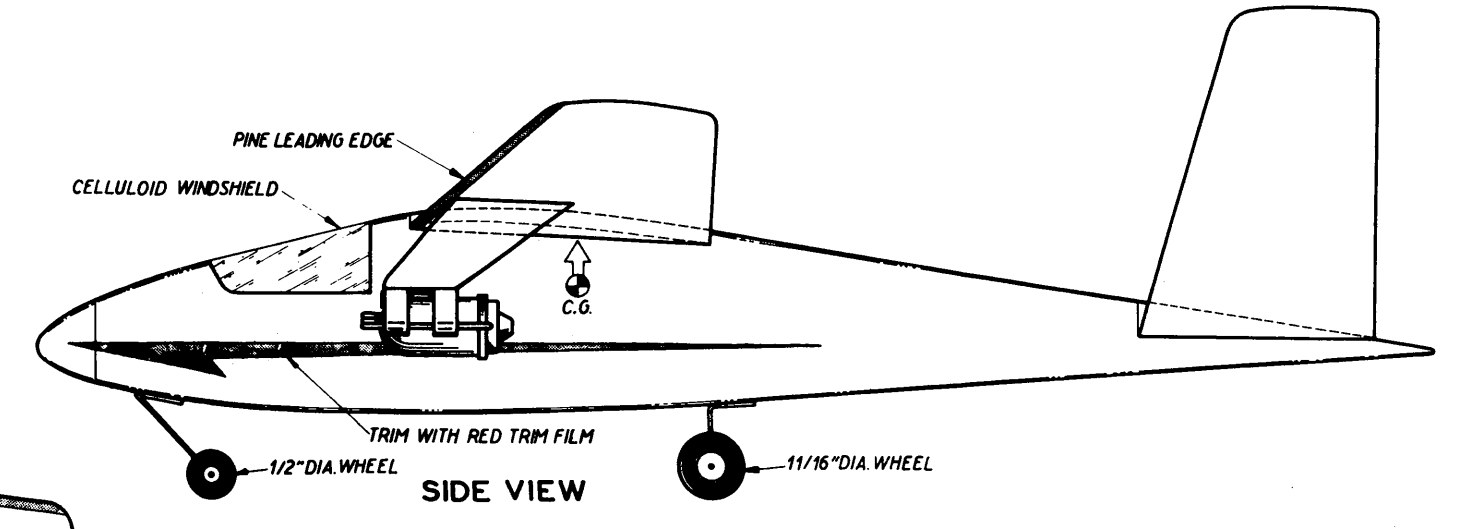
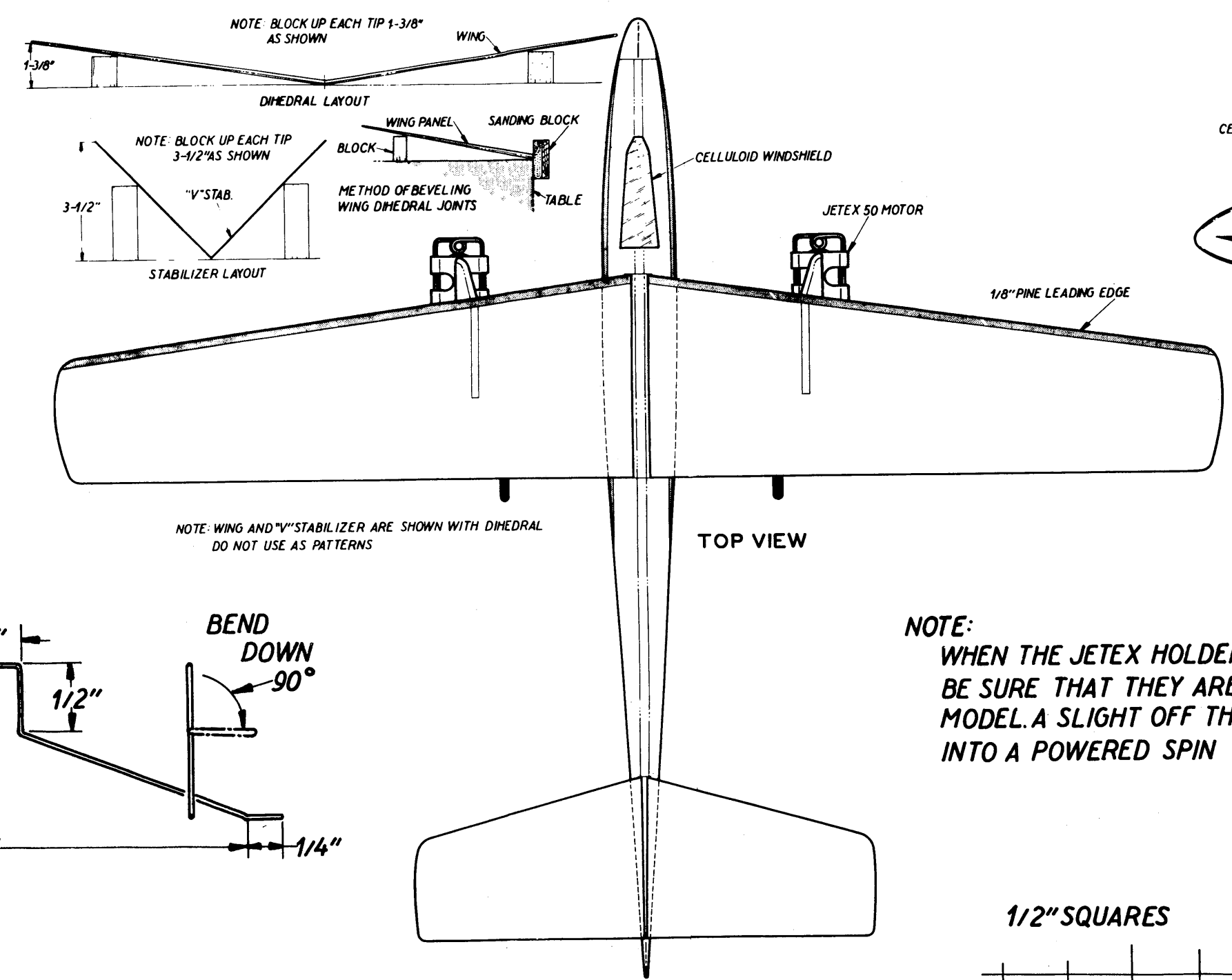
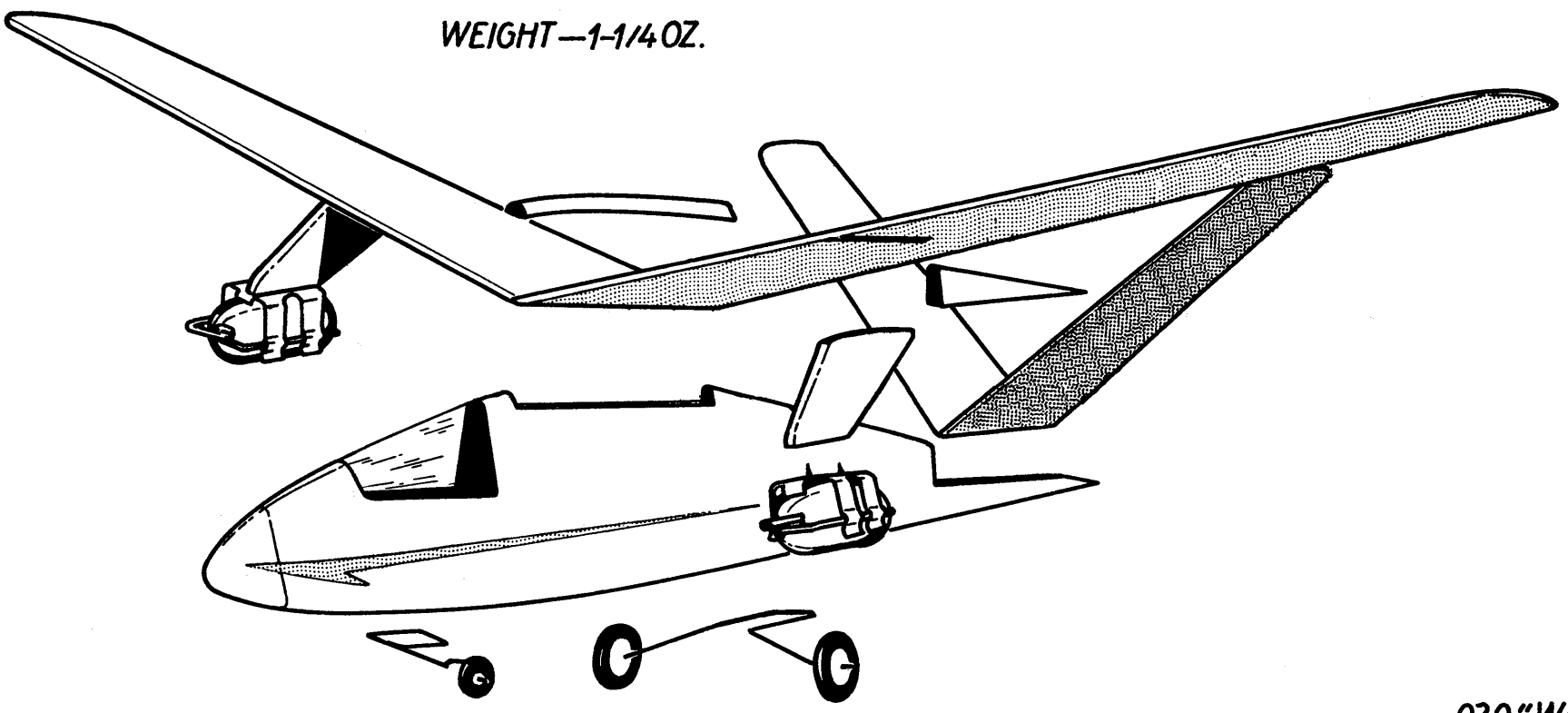


# The Executive

WING SPAN—18"  
 FUSELAGE LENGTH—14-5/8"  
 WEIGHT—1-1/4 OZ.



NOTE:  
 WHEN THE JETEX HOLDERS ARE SCREWED IN PLACE BE SURE THAT THEY ARE LINED UP AND TRUE WITH THE MODEL. A SLIGHT OFF THRUST WILL THROW THE MODEL INTO A POWERED SPIN

