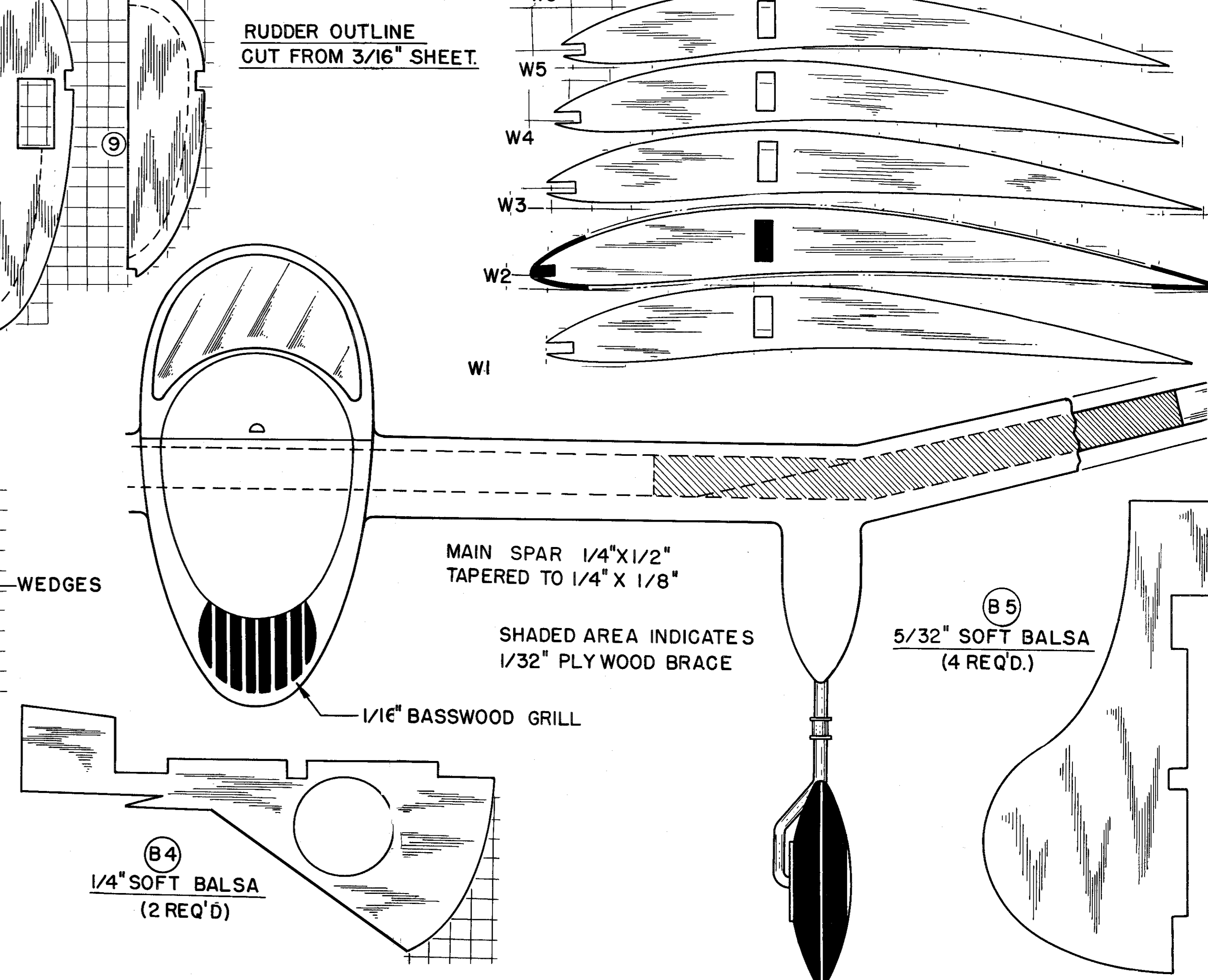
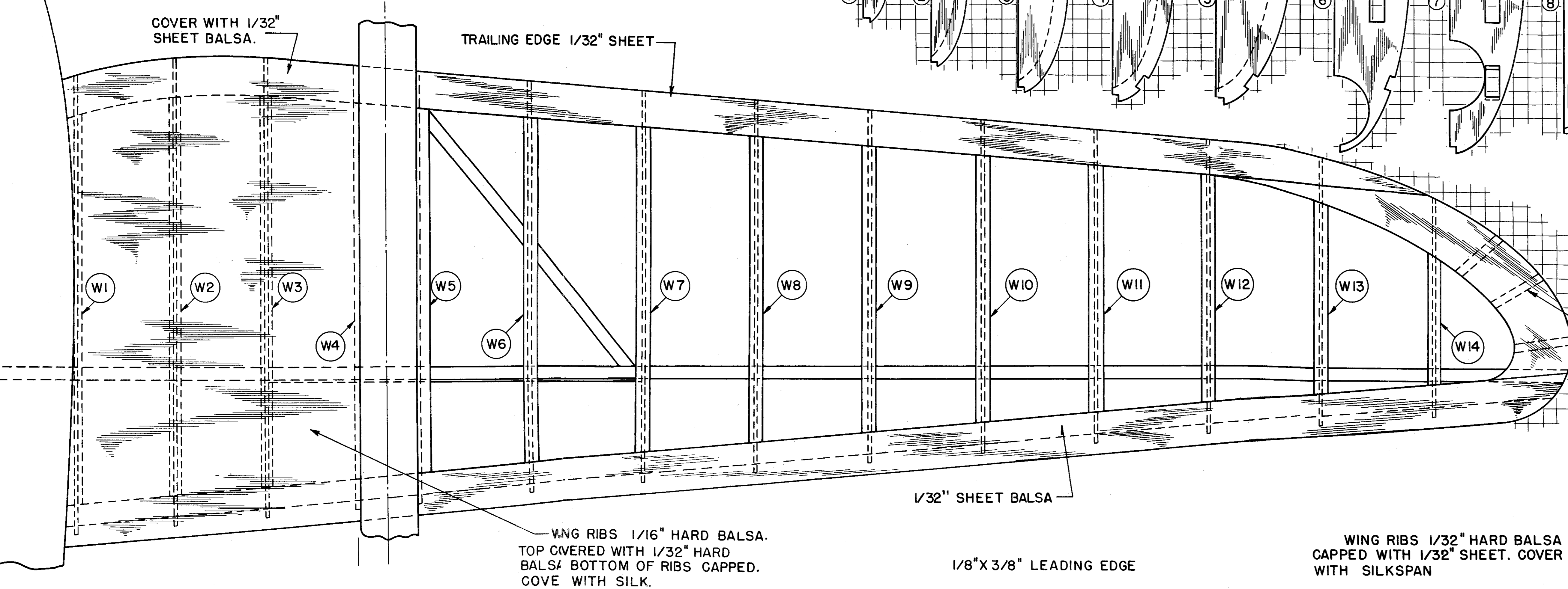
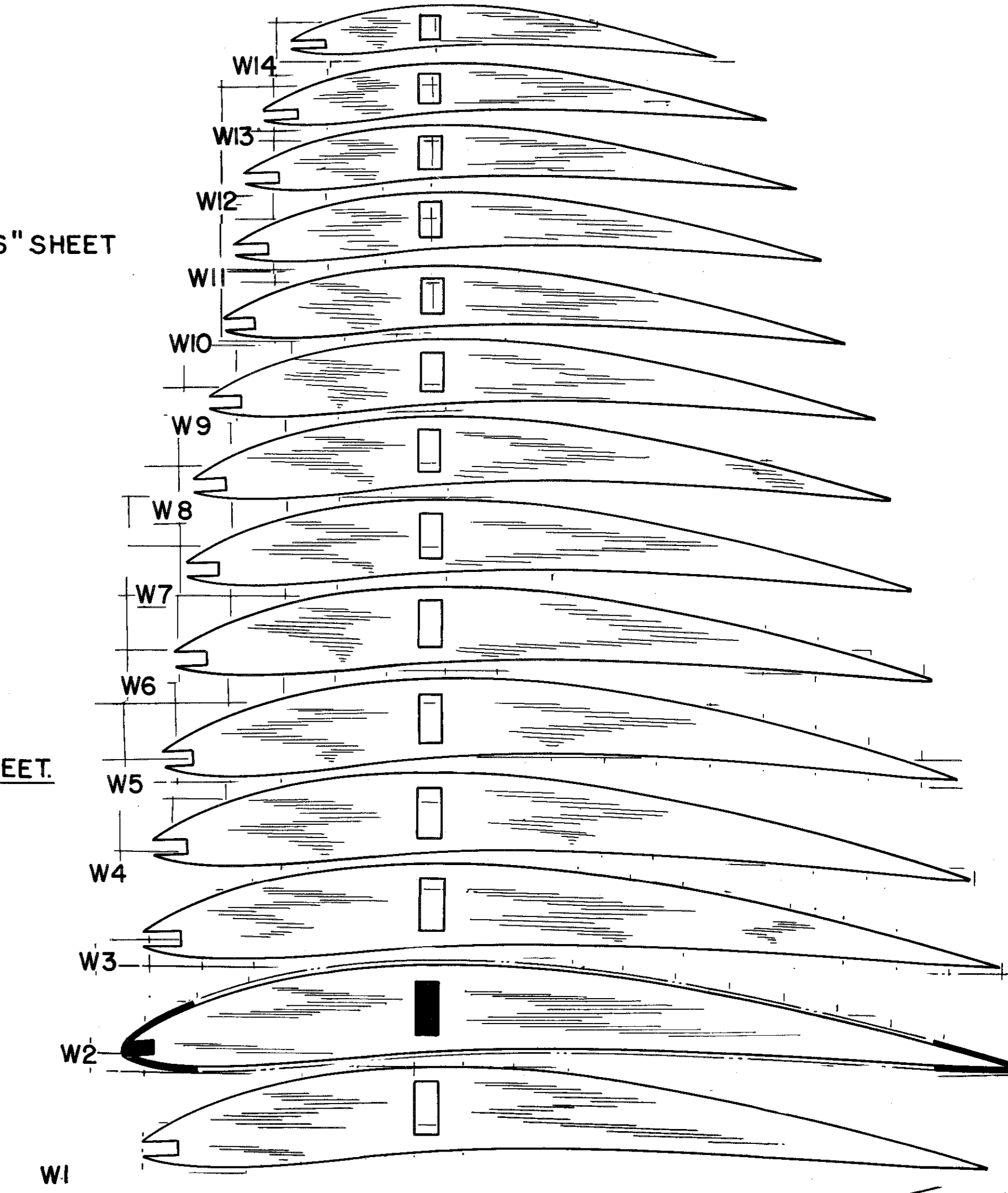
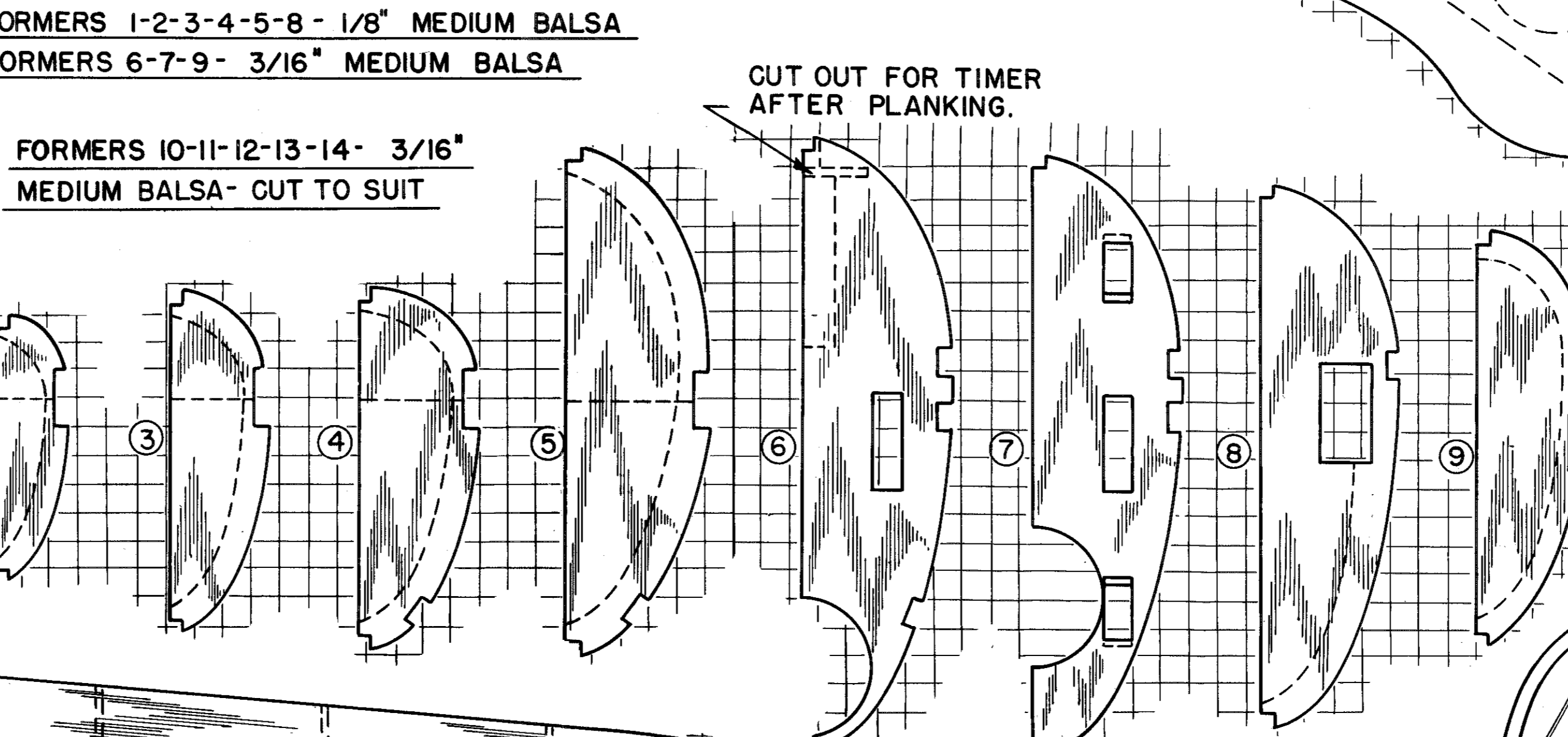
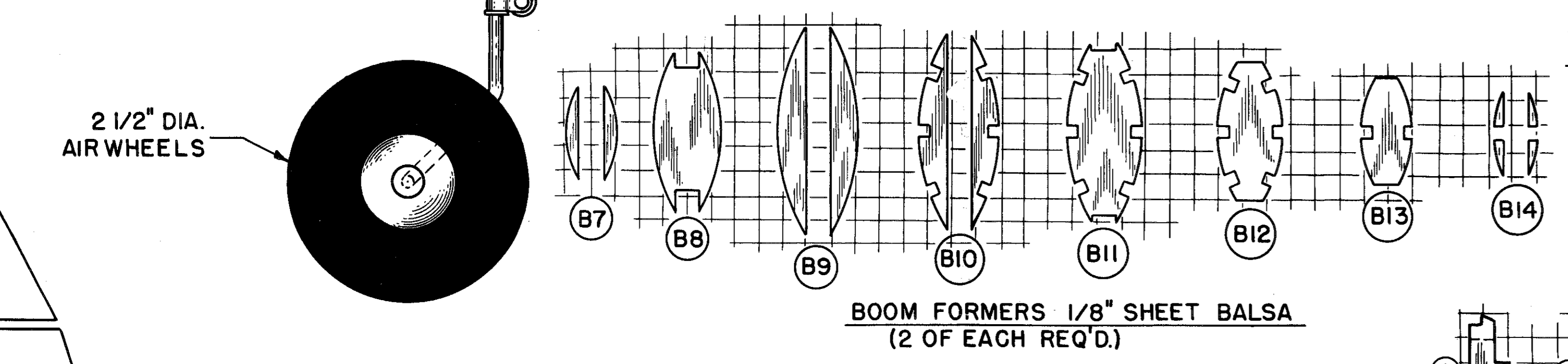
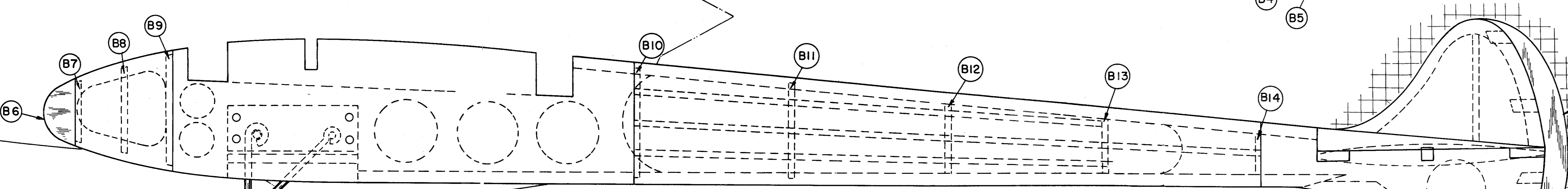
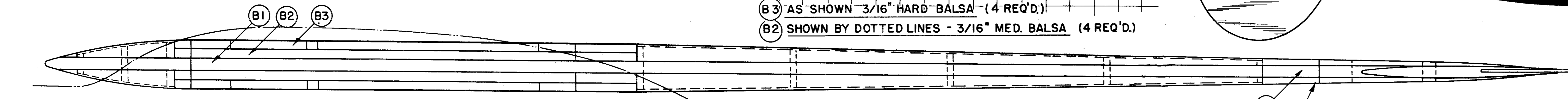
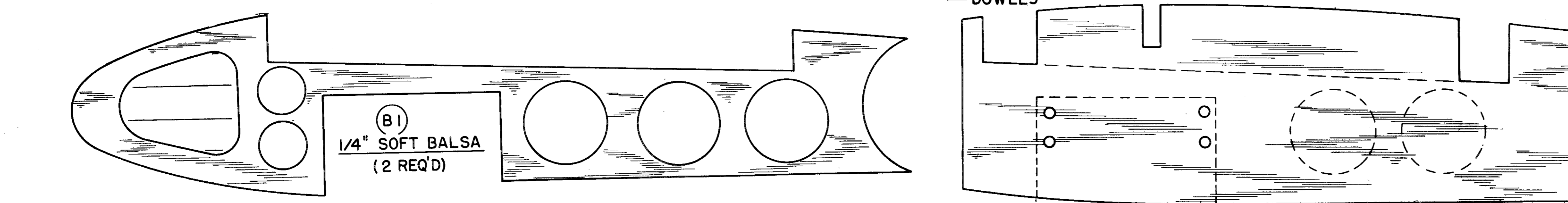
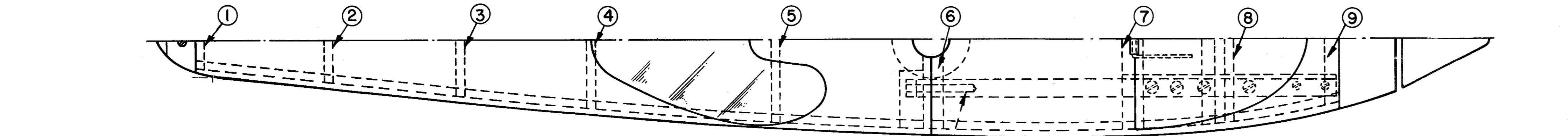
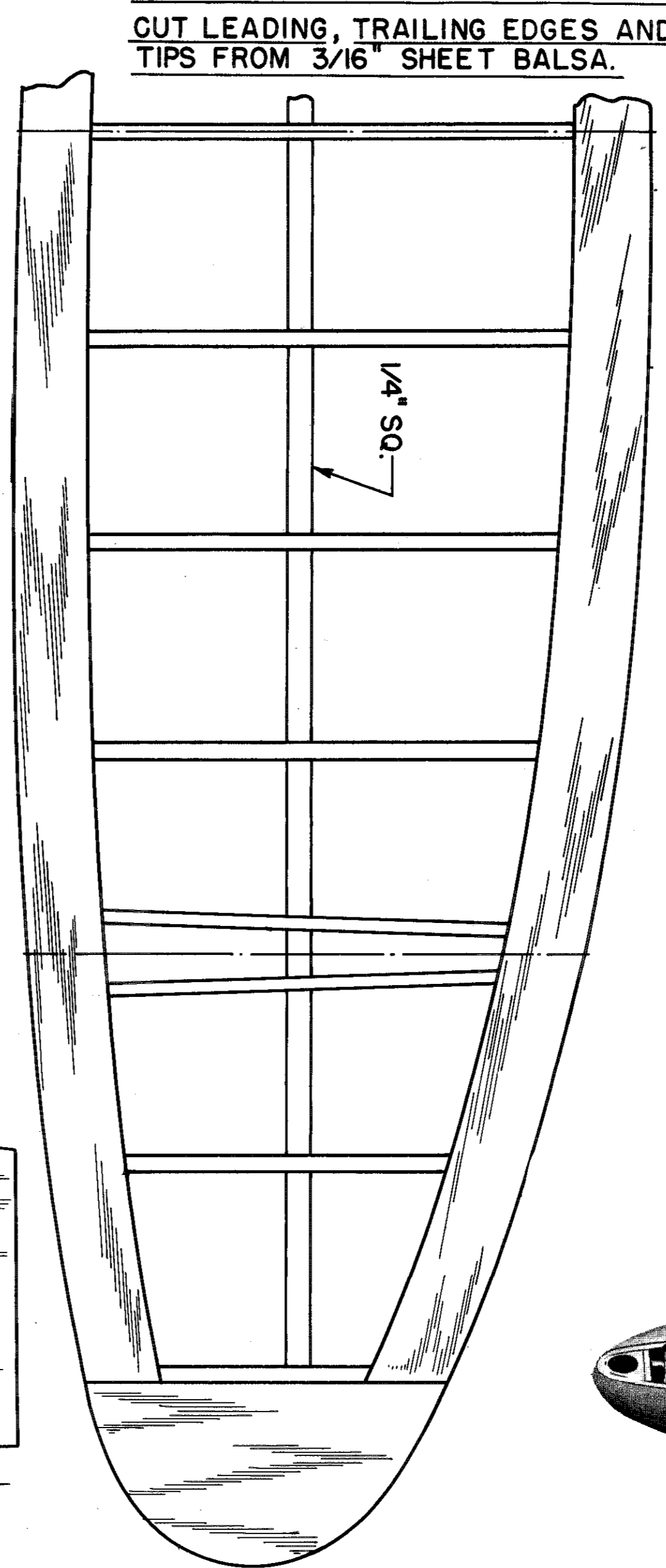
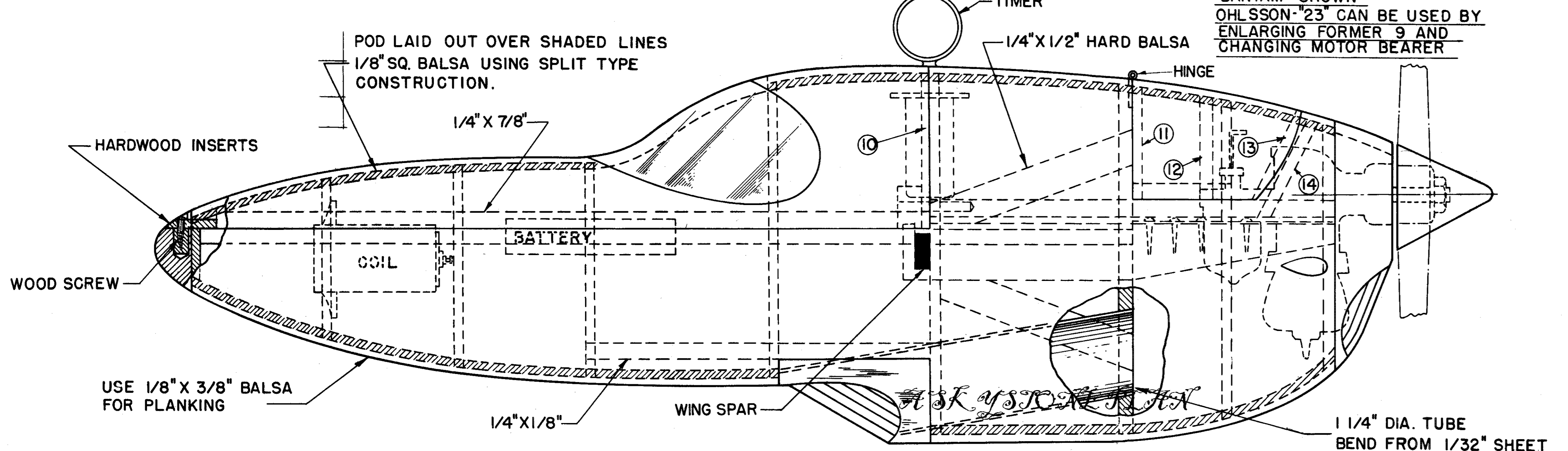


GEE-38

A SKYSTONE REPRODUCTION

Designed by: BEVERLY DEAN SMITH
MAGAZINE PLAN SERVICE CO.



"BANTAM" SHOWN
OHLSSON-23 CAN BE USED BY
ENLARGING FORMER 9 AND
CHANGING MOTOR BEARER

STABILIZER RIBS 1/8" SHEET BALS
CUT LEADING, TRAILING EDGES AND
TIPS FROM 3/16" SHEET BALS.

FORMERS 1-2-3-4-5-8 - 1/8" MEDIUM BALS
FORMERS 6-7-9 - 3/16" MEDIUM BALS
FORMERS 10-11-12-13-14 - 3/16"
MEDIUM BALS - CUT TO SUIT

CUT OUT FOR TIMER
AFTER PLANKING.

RUDDER OUTLINE
CUT FROM 3/16" SHEET.

MAIN SPAR 1/4"x1/2"
TAPERED TO 1/4" X 1/8"

SHADED AREA INDICATES
1/32" PLY WOOD BRACE

5/32" SOFT BALS
(4 REQ'D)

1/4" SOFT BALS
(2 REQ'D)

WING RIBS 1/32" HARD BALS
CAPPED WITH 1/32" SHEET. COVER
WITH SILKSPAN

WING RIBS 1/16" HARD BALS.
TOP COVERED WITH 1/32" HARD
BALS/ BOTTOM OF RIBS CAPPED.
COVE WITH SILK.

1/8" X 3/8" LEADING EDGE