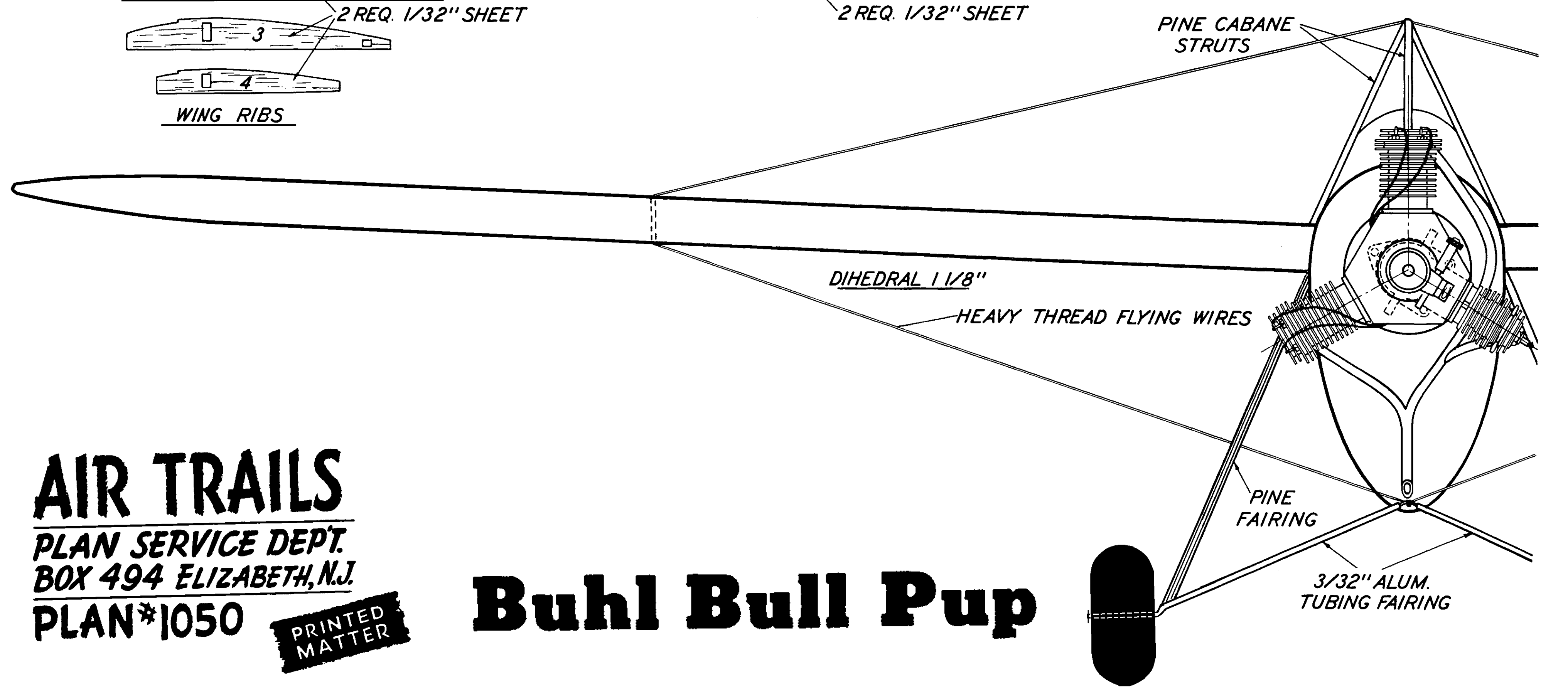
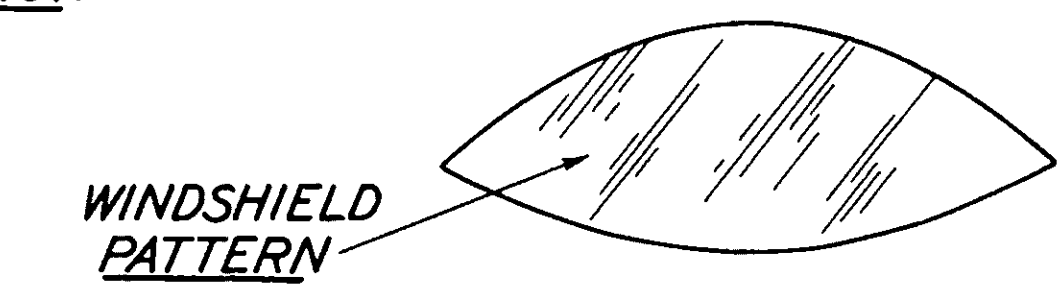
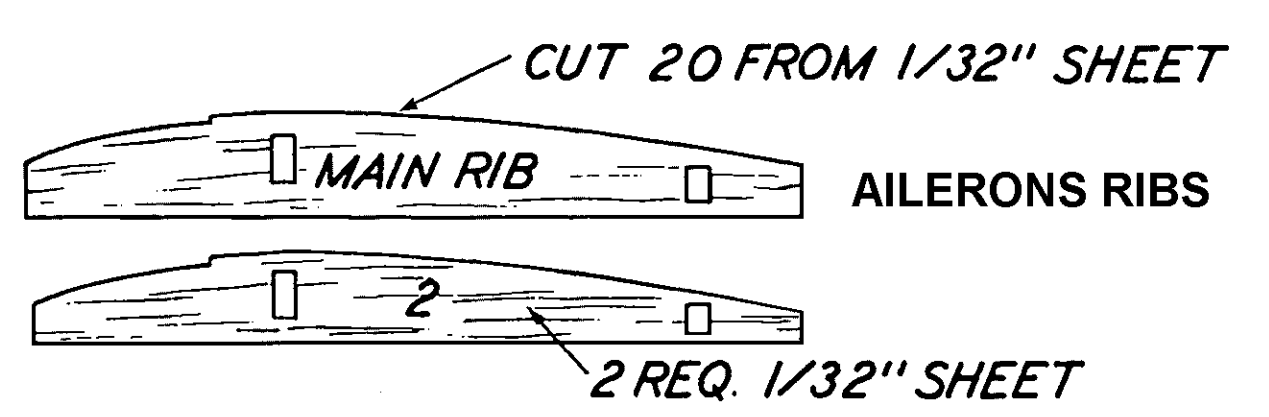
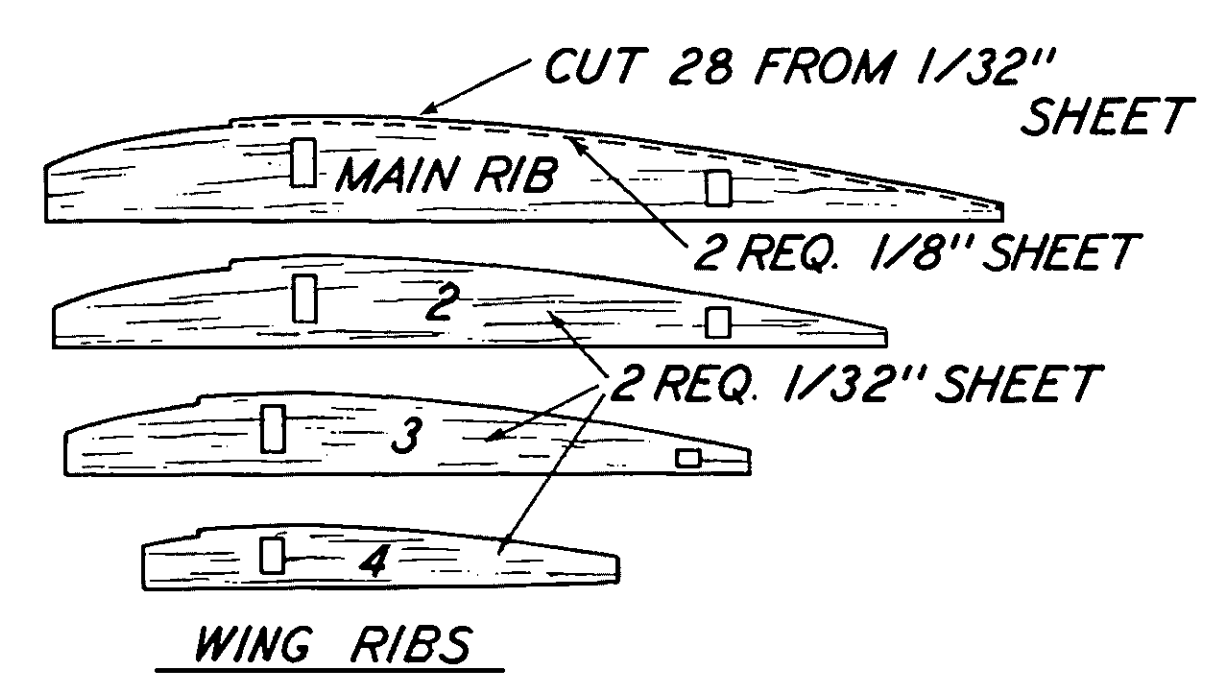
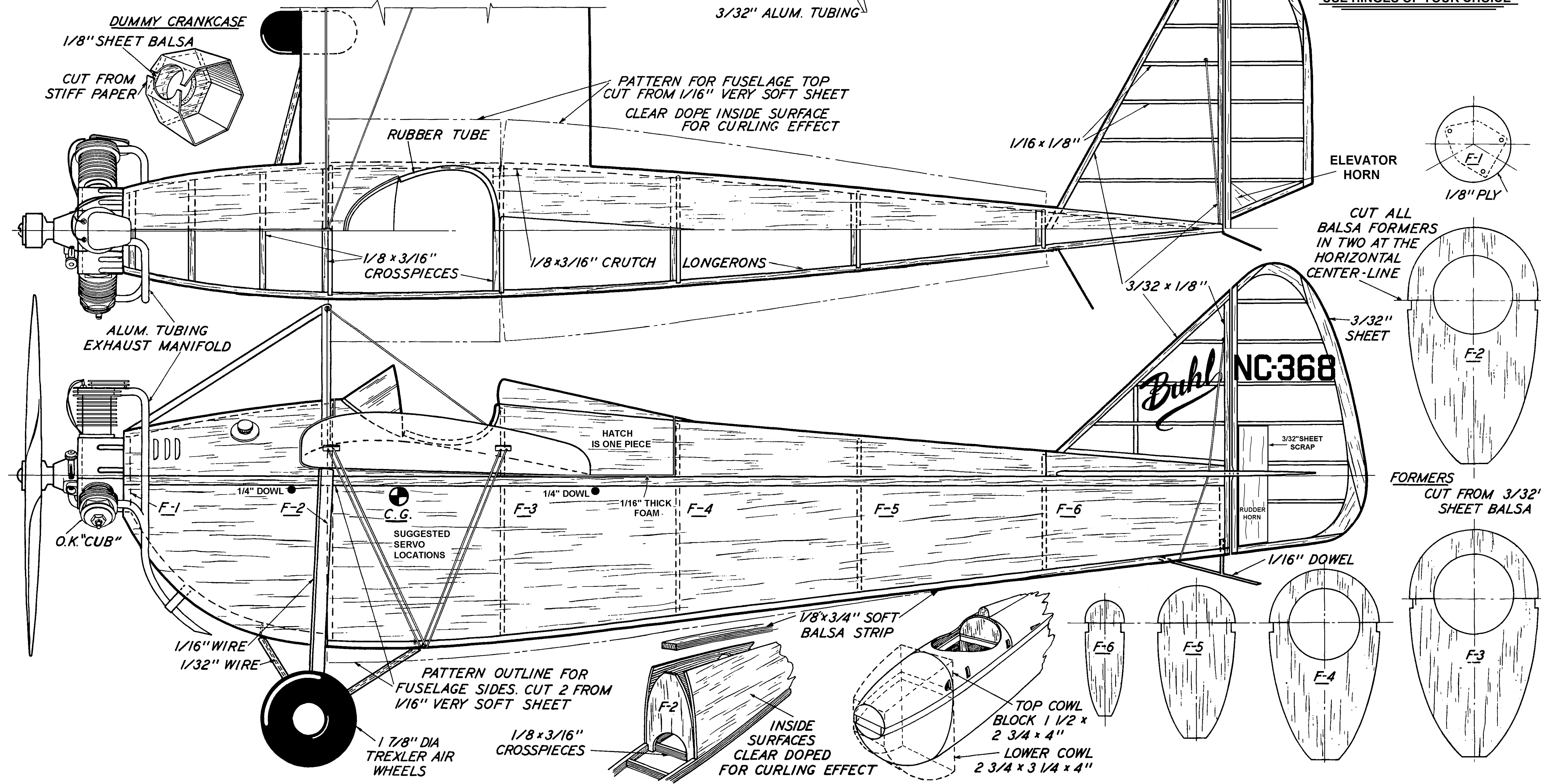
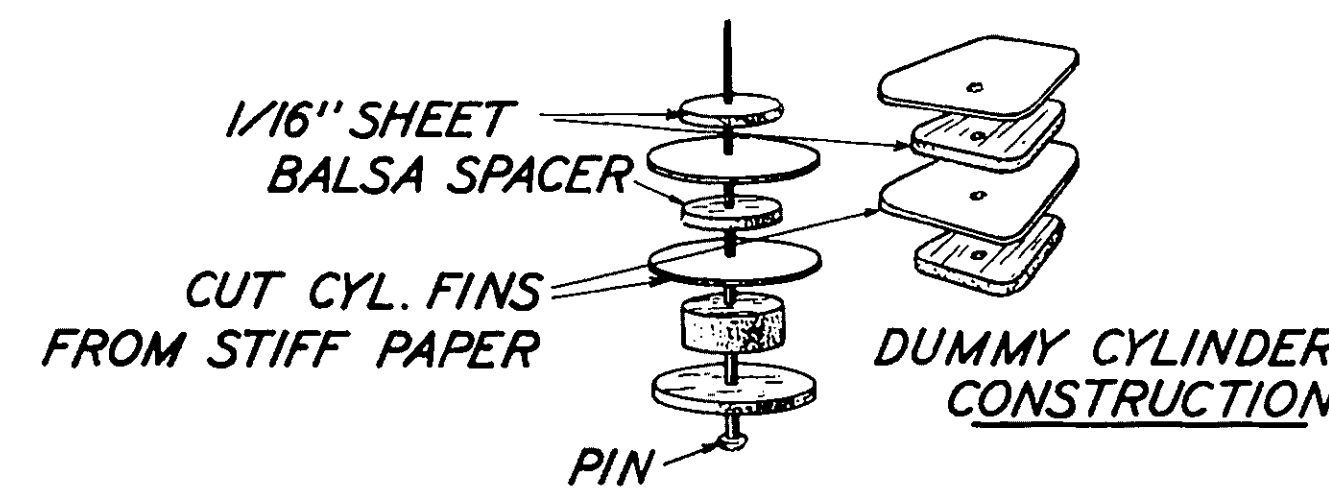
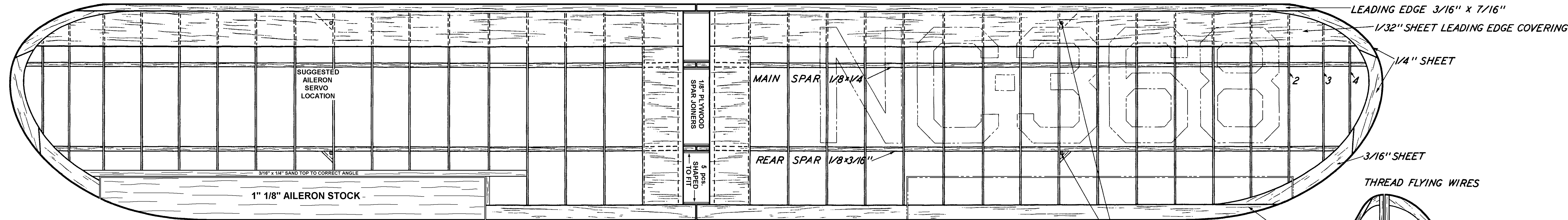


The Buhl Aircraft Company was founded in 1925 as part of the holdings of Detroit's Buhl family. By the late 1920's, the Buhl family had been on the Detroit manufacturing scene for nearly one hundred years, best known for the Buhl Stamping Company and the beautiful art-deco Buhl building in downtown Detroit. Sadly, in the latter half of this century, there has not been much attention paid to the Buhl Aircraft Company and to the fine craft which they produced. Buhl aircraft did win a number of speed and endurance records and placed among the very top in events such as the Ford Reliability Tour, the National Air Races and other competitive gatherings. In an effort to keep the company going during the depression, the Buhl "Pup" was then designed, but like so many manufacturers, the market just wasn't there and the Buhl Aircraft Company ceased operations in February of 1933.

an UNCLE WILLIES PLAN
 WWW.MYUNCLEWILLIES.COM
 WWW.MYUNCLEWILLIESTOO.COM

36" WINGSPAN
 25" LENGTH
 .049 POWER



AIR TRAILS
 PLAN SERVICE DEPT.
 BOX 494 ELIZABETH, N.J.
 PLAN*1050
 PRINTED MATTER

Buhl Bull Pup