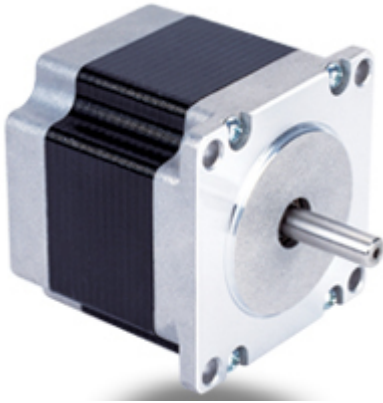
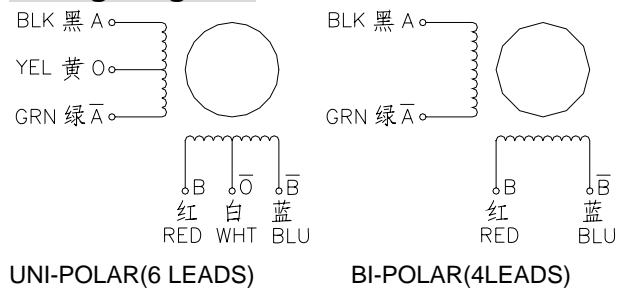


2 Phase Hybrid Stepper Motor 23HS series-Size 57mm(1.8 degree)


Wiring Diagram:

Electrical Specifications:

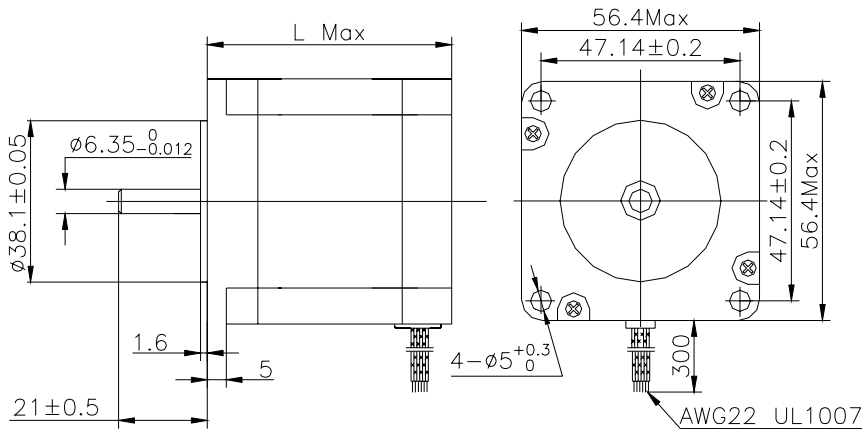
| Series Model | Step Angle (deg) | Motor Length (mm) | Rated Current (A) | Phase Resistance (ohm) | Phase Inductance (mH) | Holding Torque (N.cm Min) | Detent Torque (N.cm Max) | Rotor Inertia (g.cm ²) | Lead Wire (No.) | Motor Weight (g) |
|--------------|------------------|-------------------|-------------------|------------------------|-----------------------|---------------------------|--------------------------|------------------------------------|-----------------|------------------|
| 23HS0601 | 1.8 | 41 | 1.0 | 5.2 | 5.5 | 40 | 2.5 | 150 | 6 | 470 |
| 23HS0405 | 1.8 | 41 | 0.62 | 12 | 24 | 55 | 2.5 | 150 | 4 | 470 |
| 23HS0408 | 1.8 | 41 | 2.0 | 1.2 | 2.5 | 55 | 2.5 | 150 | 4 | 470 |
| 23HS4412 | 1.8 | 45 | 0.62 | 12 | 26 | 80 | 2.8 | 190 | 4 | 520 |
| 23HS4425 | 1.8 | 45 | 2.5 | 1.0 | 2.2 | 80 | 2.8 | 190 | 4 | 520 |
| 23HS5406 | 1.8 | 51 | 0.62 | 13 | 28 | 90 | 2.8 | 190 | 4 | 520 |
| 23HS5425 | 1.8 | 51 | 2.5 | 1.2 | 3.2 | 90 | 2.8 | 190 | 4 | 520 |
| 23HS5602 | 1.8 | 51 | 0.8 | 6.8 | 9.2 | 63 | 3.0 | 230 | 6 | 590 |
| 23HS6602 | 1.8 | 56 | 1.5 | 3.2 | 5.5 | 90 | 3.5 | 280 | 6 | 590 |
| 23HS6403 | 1.8 | 56 | 2.5 | 1.3 | 3.6 | 110 | 3.5 | 280 | 4 | 680 |
| 23HS6430 | 1.8 | 56 | 3.0 | 0.8 | 2.4 | 110 | 3.5 | 280 | 4 | 680 |
| 23HS6404 | 1.8 | 56 | 4.2 | 0.4 | 1.2 | 110 | 3.5 | 280 | 4 | 680 |
| 23HS7401 | 1.8 | 64 | 1.0 | 7.5 | 20 | 150 | 5.0 | 380 | 4 | 850 |
| 23HS7425 | 1.8 | 64 | 2.5 | 1.5 | 4.5 | 150 | 5.0 | 380 | 4 | 850 |
| 23HS7430 | 1.8 | 64 | 3.0 | 0.8 | 2.3 | 150 | 5.0 | 380 | 4 | 850 |
| 23HS7404 | 1.8 | 64 | 4.2 | 0.55 | 1.2 | 150 | 5.0 | 380 | 4 | 850 |
| 23HS8603 | 1.8 | 76 | 1.5 | 4.5 | 10 | 140 | 6.0 | 440 | 6 | 1050 |
| 23HS8425 | 1.8 | 76 | 2.5 | 1.8 | 6.5 | 180 | 6.0 | 440 | 4 | 1050 |
| 23HS8430 | 1.8 | 76 | 3.0 | 1.0 | 3.5 | 180 | 6.0 | 440 | 4 | 1050 |
| 23HS8404 | 1.8 | 76 | 4.2 | 0.6 | 1.8 | 180 | 6.0 | 440 | 4 | 1050 |
| 23HS1430 | 1.8 | 100 | 3.0 | 1.4 | 5.5 | 250 | 10 | 680 | 4 | 1250 |
| 23HS1410 | 1.8 | 100 | 4.2 | 0.8 | 3.0 | 250 | 10 | 680 | 4 | 1250 |
| 23HS2430 | 1.8 | 112 | 3.0 | 1.6 | 6.8 | 280 | 12 | 800 | 4 | 1400 |
| 23HS2410 | 1.8 | 112 | 4.2 | 0.9 | 3.8 | 280 | 12 | 800 | 4 | 1400 |

*Note: We can manufacture products according to customer's requirements.

MotionKing (China) Motor Industry Co., Ltd.

Dimensions: unit=mm

Motor Length:



| Model | Length |
|----------|--------|
| 23HS0XXX | 41 mm |
| 23HS4XXX | 45 mm |
| 23HS5XXX | 51 mm |
| 23HS6XXX | 56 mm |
| 23HS7XXX | 64 mm |
| 23HS8XXX | 76 mm |
| 23HS1XXX | 100 mm |
| 23HS2XXX | 112 mm |